

# STIHL®

## STIHL FS 300, 350, 400, 450, 480

Instruction Manual  
Manual de instrucciones



**Warning!**

Read and follow all safety precautions in Instruction Manual – improper use can cause serious or fatal injury.

**Advertencia!**

Lea y siga todas las precauciones de seguridad dadas en el manual de instrucciones – el uso incorrecto puede causar lesiones graves o mortales.



## Contents

Guide to Using this Manual .....	2	Adjusting the Carburetor .....	32
Safety Precautions and Working Techniques .....	3	Winter Operation .....	33
Approved Combinations of Cutting Tool, Deflector, Stop and Harness .....	18	Electric Handle Heating .....	34
Mounting the Bike Handle .....	20	Checking the Spark Plug .....	34
Adjusting the Throttle Cable .....	21	Engine Running Behavior .....	35
Mounting the Deflectors and Limit Stop .....	22	Lubricating the Gearbox .....	36
Mounting the Cutting Tools .....	23	Replacing the Starter Rope and Rewind Spring .....	36
Fuel .....	26	Storing the Machine .....	38
Fueling .....	27	Sharpening Metal Cutting Tools .....	39
Fitting the Harness .....	27	Maintenance Chart .....	40
Balancing the Machine .....	28	Parts and Controls .....	42
Starting / Stopping the Engine .....	28	Specifications .....	44
Operating Instructions .....	30	Special Accessories .....	45
Cleaning the Air Filter .....	31	Maintenance and Repairs .....	45
Cleaning the Air Filter .....	31	STIHL Incorporated Federal Emission Control	
Motor Management .....	32	Warranty Statement .....	46
		Trademarks .....	48

Allow only persons who understand this manual to operate your clearing saw.

To receive maximum performance and satisfaction from your STIHL brush-cutter, it is important that you read and understand the maintenance and safety precautions, starting on page 3, before using your clearing saw.

Contact your STIHL dealer or the STIHL distributor for your area if you do not understand any of the instructions in this manual.

### **Warning!**

Because a clearing saw is a high-speed cutting tool some special safety precautions must be observed to reduce the risk of personal injury.

Careless or improper use may cause serious or even fatal injury. Make sure your unit is equipped with the proper deflector, handle and harness for the type of cutting attachment being used. Always wear proper eye protection.

STIHL's philosophy is to continually improve all of its products. As a result, engineering changes and improvements are made from time to time. If the operating characteristics or the appearance of your clearing saw differs from those described in this manual, please contact your STIHL dealer for information and assistance.

# STIHL®

FS 300, FS 350, FS 400, FS 450, FS 480

## Guide to Using this Manual

### Pictograms

All the pictograms attached to the machine are shown and explained in this manual.

The operating and handling instructions are supported by illustrations.

### Symbols in text

The individual steps or procedures described in the manual may be marked in different ways:

- A bullet marks a step or procedure without direct reference to an illustration.


A description of a step or procedure that refers directly to an illustration may contain item numbers that appear in the illustration.


Example:


Loosen the screw (1)


Lever (2) ...

In addition to the operating instructions, this manual may contain paragraphs that require your special attention. Such paragraphs are marked with the symbols described below:

 Warning where there is a risk of an accident or personal injury or serious damage to property.

 Caution where there is a risk of damaging the machine or its individual components.

 Note or hint which is not essential for using the machine, but may improve the operator's understanding of the situation and result in better use of the machine.

 Note or hint on correct procedure in order to avoid damage to the environment.

### \* Equipment and features

This instruction manual may refer to several models with different features. Components that are not installed on all models and related applications are marked with an asterisk (\*). Such components may be available as special accessories from your STIHL dealer.

### Engineering improvements

STIHL's philosophy is to continually improve all of its products. As a result, engineering changes and improvements are made from time to time. If the operating characteristics or the appearance of your machine differ from those described in this manual, please contact your STIHL dealer for assistance.

Therefore some changes, modifications and improvements may not be covered in this manual.

## Safety Precautions and Working Techniques



### Warning!

Because a clearing saw is a high-speed, fast-cutting power tool, special safety precautions must be observed to reduce the risk of personal injury.



It is important that you read, fully understand and observe the following safety precautions and warnings. Read the owner's manual and the safety instructions periodically. Careless or improper use of any clearing saw may cause serious or fatal injury.

Have your STIHL dealer show you how to operate your clearing saw. Observe all applicable local safety regulations, standards and ordinances.



### Warning!

Do not lend or rent your clearing saw without the owner's manual. Be sure that anyone using your clearing saw understands the information contained in this manual.



### Warning!

The use of any clearing saw may be hazardous. If the rotating cutting tool comes in contact with your body, it will cut you. When it comes in contact with solid foreign objects such as rocks or bits of metal, it may fling them directly or by ricochet in the direction of bystanders or the operator.

Striking such objects could damage the cutting attachment and may cause blades to crack, chip or break. STIHL does not recommend the use of rigid blades when cutting in stony areas. Thrown objects or damaged blades may result in serious or fatal injury to the operator or bystanders.



### Warning!

Minors should never be allowed to use a clearing saw. Bystanders, especially children, and animals should not be allowed in the area where a clearing saw is in use.

Never let the clearing saw run unattended.

Most of these safety precautions and warnings apply to the use of all STIHL clearing saws. Different models may have different parts and controls. See the appropriate section of your owner's manual for a description of the controls and function of the parts of your model clearing saw.

Safe use of a clearing saw involves

1. the operator
2. the clearing saw
3. the use of the clearing saw.

## THE OPERATOR

### Physical Condition

You must be in good physical condition and mental health and not under the influence of any substance (drugs, alcohol, etc.) which might impair vision, dexterity or judgement. Do not operate a clearing saw when you are fatigued.

Be alert – if you get tired while operating your clearing saw, take a break.

Tiredness may result in loss of control. Working with any clearing saw can be strenuous. If you have any condition that might be aggravated by strenuous work, check with your doctor before operating a clearing saw.

**⚠ Warning!**

Prolonged use of a clearing saw (or other machines) exposing the operator to vibrations may produce whitefinger disease (Raynaud's phenomenon) or carpal tunnel syndrome.

These conditions reduce the hand's ability to feel and regulate temperature, produce numbness and burning sensations and may cause nerve and circulation damage and tissue necrosis.

All factors which contribute to whitefinger disease are not known, but cold weather, smoking and diseases or physical conditions that affect blood vessels and blood transport, as well as high vibration levels and long periods of exposure to vibration are mentioned as factors in the development of whitefinger disease. In order to reduce the risk of whitefinger disease and carpal tunnel syndrome, please note the following:

- Most STIHL power tools are available with an anti-vibration ("AV") system designed to reduce the transmission of vibrations created by the engine to the operator's hands. An AV system is recommended for those persons using power tools on a regular or sustained basis.
- Wear gloves and keep your hands warm.
- Keep the AV system well maintained. A clearing saw with loose components or with damaged or worn AV buffers will tend to have higher vibration levels.
- Maintain a firm grip at all times, but do not squeeze the handles with constant, excessive pressures and take frequent breaks.

All the above mentioned precautions do not guarantee that you will not sustain whitefinger disease or carpal tunnel syndrome. Therefore continual and regular users should monitor closely the condition of their hands and fingers. If any of the above symptoms appear, seek medical advice immediately.

**⚠ Warning!**

The ignition system of your unit produces an electromagnetic field of a very low intensity. This field may interfere with some pacemakers. To reduce the risk of serious or fatal injury, persons with pacemaker should consult their physician and the pacemaker manufacturer before operating this tool.

**Proper Clothing**

**⚠ Warning!**

To reduce the risk of injury, the operator should wear proper protective apparel. The deflector provided with your clearing saw may not protect the operator from all foreign objects (gravel, glass, wire, etc.) thrown by the rotating cutting attachment. Thrown objects may also ricochet and strike the operator.

**Warning!**

To reduce the risk of injury to your eyes never operate a clearing saw unless wearing goggles or properly fitted safety glasses with adequate top and side protection complying with ANSI Z 87.1 (or your applicable national standard). To reduce the risk of injury to your face STIHL recommends that you also wear a face shield or face screen over your goggles or safety glasses.

**Warning!**

Clearing saw noise may damage your hearing. Wear sound barriers (ear plugs or ear muffs) to protect your hearing. Continual and regular users should have their hearing checked regularly.



Protect your hands with gloves when handling the clearing saw and the cutting tool. Heavy-duty, nonslip gloves improve your grip and protect your hands.



Clothing must be sturdy and snug-fitting, but allow complete freedom of movement. Avoid loose-fitting jackets, scarfs, neckties, jewelry, flared or cuffed pants, unconfined longhair or anything that could become caught on branches, brush or moving parts of the unit. Wear long pants made of heavy material to protect your legs. Do not wear shorts, pants, sandals or go bare foot. Secure hair so it is above shoulder level.



Good footing is most important in clearing saw work. Wear sturdy boots with nonslip soles. Steel-toed safety boots are recommended.



Wear an approved safety hard hat to reduce the risk of injury to your head when there is a danger of head injuries.

**THE CLEARING SAW**

For illustrations and definitions of the clearing saw parts see the chapter on "Parts and Controls".

**Warning!**

Never modify a clearing saw in any way. Only attachments supplied by STIHL or expressly approved by STIHL for use with the specific STIHL clearing saw models are authorized. Although certain unauthorized attachments are useable for the STIHL clearing saw, their use may, in fact, be extremely dangerous.

## THE USE OF THE CLEARING SAW

### Transporting the clearing saw

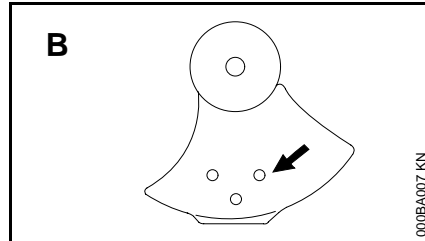
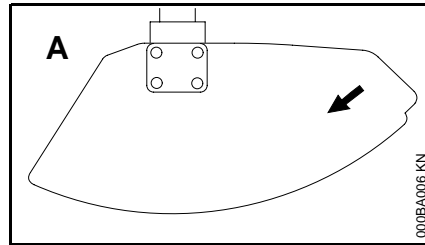
#### **Warning!**

Always turn off the engine and make sure the cutting attachment has stopped before putting a clearing saw down. When transporting your clearing saw in a vehicle, properly secure it to prevent turnover, fuel spillage and damage to the clearing saw. Keep metal cutting tools covered with the transport guard (optional accessory).

### Preparation for the use of the clearing saw

Adjust carrying harness and hand grip to suit your size before starting work. The machine should be properly balanced as specified in your owner's manual for proper control and less fatigue in operation.

Always check your clearing saw for proper condition and operation before starting, particularly the throttle trigger, throttle trigger interlock (if applicable), stopswitch, cutting tool, deflector and harness.



Arrows on the deflector **(A)** and stop **(B)** show the correct direction of rotation of the cutting tool.

The throttle trigger must move freely and always spring back to the idle position. The cutting tool must be properly tightened and in safe operating condition. Inspect for loose parts (nuts, screws, etc.) and for cracked, bent, warped or damaged blades.

### Fueling

Your STIHL clearing saw uses an oil-gasoline mixture for fuel (see the chapter on "Fuel" of your owner's manual).

#### **Warning!**



Gasoline is an extremely flammable fuel. If spilled and ignited by a spark or other ignition source, it can cause fire and serious burn injury or property

damage. Use extreme caution when handling gasoline or fuel mix.

Do not smoke or bring any fire or flame near the fuel or clearing saw.

### Fueling Instructions

#### **Warning!**

Fuel your clearing saw in well-ventilated areas, outdoors. Always shut off the engine and allow it to cool before refueling. Gasoline vapor pressure may build up inside the fuel tank depending on the fuel used, the weather conditions and the tank venting system.

In order to reduce the risk of burns and other personal injury from escaping gas vapor and fumes, remove the fuel filler cap on your clearing saw carefully so as to allow any pressure build-up in the tank to release slowly. Never remove fuel filler cap while engine is running.

Select bare ground for fueling and move at least 10 feet (3 m) from the fueling spot before starting the engine. Wipe off any spilled fuel before starting your clearing saw and check for leakage.

### **Warning!**

Check for fuel leakage while refueling and during operation. If fuel or oil leakage is found, do not start or run the engine until leak is fixed and spilled fuel has been wiped away. Take care not to get fuel on your clothing. If this happens, change your clothing immediately.

Different models may be equipped with different fuel caps.

### Cap with Grip

#### **Warning!**

In order to reduce the risk of fuel spillage and fire from an improperly tightened fuel cap, correctly position and tighten the fuel cap in the fuel tank opening.



To do this with this STIHL cap, raise the grip on the top of the cap until it is upright at a 90° angle.

Insert the cap in the fuel tank opening with the triangular marks on the grip of the cap and on the fuel tank opening lining up. Using the grip, turn the cap firmly clockwise as far as it will go (approx. a quarter turn).



Fold the grip flush with the top of the cap. If the grip does not lie completely flush with the cap and the detent on the grip does not fit in the

corresponding recess in the filler neck, the cap is not properly seated and tightened and you must repeat the above steps.

### Screw Cap

#### **Warning!**



Unit vibrations can cause an improperly tightened fuel filler cap to loosen or come off and spill quantities of fuel. In order to reduce the risk of fuel

spillage and fire, tighten the fuel filler cap by hand with as much force as possible.

### Operating instructions

#### **Warning!**



Improper use of any clearing saw can cause serious or fatal personal injury. To reduce

the risk of personal injury to the operator from blade contact and thrown objects, make sure your unit is equipped with the proper deflector, handle and harness for the type of cutting attachment being used (see chart in chapters on Approved Combinations of Cutting Tool, Deflector, Handle and Harness).

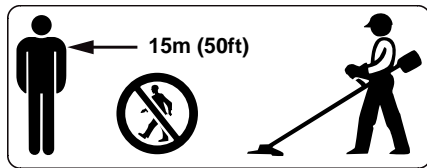


Keep the deflector (and the skirt where appropriate) adjusted properly at all times (see chapter on mounting the various cutting tools of your owner's manual).

### Starting

#### **Warning!**

Your clearing saw is a one-person machine. Once started, it may fling foreign objects for a great distance.



To reduce the risk of eye and other injury insure that bystanders are at least 50 feet (15 m) away. Bystanders should be encouraged to wear eye protection. Stop the engine and cutting tool immediately if you are approached. Start and operate your clearing saw without assistance. For specific starting instructions, see the appropriate section of your manual. Place the clearing saw on firm ground or other solid surface in an open area. Maintain a good balance and secure footing.

#### **Warning!**

To reduce the risk of injury from loss of control, be absolutely sure that the cutting tool is clear of you and all other obstructions and objects, including the ground, because when the engine starts at starting-throttle, engine speed will be fast enough for the clutch to engage and turn the cutting tool.

#### **Warning!**

When you pull the starter grip, don't wrap the starter rope around your hand. Do not allow the grip to snap back, but guide the starter rope to rewind it properly. Failure to follow this procedure may result in injury to hand or fingers and may damage the starter mechanism.

With the engine running but at idle, attach the clearing saw to the spring hook of your harness (see appropriate chapter of this manual).

### Catalytic converter

#### **Warning!**



Some STIHL clearing saw models are equipped with a catalytic converter, which is designed to reduce the exhaust emissions of the engine

by a chemical process in the muffler. Due to this process, the muffler does not cool down as rapidly as conventional mufflers when the engine returns to idle or is shut off. To reduce the risk of fire and burn injuries, the following specific safety precautions must be observed.

#### **Warning!**

Since a muffler with a catalytic converter cools down less rapidly than conventional mufflers, always set your clearing saw down in the upright position and never locate it where the muffler is near dry brush, grass, wood chips or other combustible materials while it is still hot.

Let the engine cool down sitting on concrete, metal, bare ground or solid wood (e.g. the trunk of a felled tree) away from any combustible substances.

**⚠ Warning!**

To reduce the risk of fire or burn injury, let the unit cool down before refueling your clearing saw after use.

**⚠ Warning!**

Never disassemble or modify your muffler. The muffler could be damaged and cause an increase in heat radiation or sparks, thereby increasing the risk of fire or burn injury. You may also permanently damage the engine. Have your muffler serviced and repaired by your STIHL Servicing Dealer only.

**⚠ Warning!**

To reduce the risk of fire or burn injury, keep the area around the muffler clean. Remove all debris such as pine needles, branches or leaves.

**⚠ Warning!**

An improperly mounted or damaged cylinder housing or a damaged/deformed muffler shell may interfere with the cooling effect of the catalytic converter. To reduce the risk of fire or burn injury, do not continue work with a damaged or improperly mounted cylinder housing or a damaged/deformed muffler shell. Your catalytic converter is furnished with screens designed to reduce the risk of fire from the emission of hot particles. Due to the heat from the catalytic reaction, these screens will normally stay clean and need no service or maintenance. If you experience loss of performance and you suspect a clogged screen, have your muffler maintained by a STIHL Servicing Dealer.

### Working Conditions

Operate and start your clearing saw only outdoors in a ventilated area.

Operate the clearing saw under good visibility and daylight conditions only. Work carefully.

**⚠ Warning!**



Your clearing saw produces toxic exhaust fumes as soon as the engine is running. These gases (e.g. carbon monoxide) may be colorless and odorless. To reduce the risk of serious or fatal injury from inhaling toxic fumes, never run the clearing saw indoors or in poorly ventilated locations.

**⚠ Warning!**

Use of this product can generate dust and fumes containing chemicals known to cause respiratory disease, cancer, birth defects, or other reproductive harm. If you are unfamiliar with the risks associated with the particular dust or fume at issue, consult your employer, governmental agencies such as OSHA and NIOSH and other sources on hazardous materials.

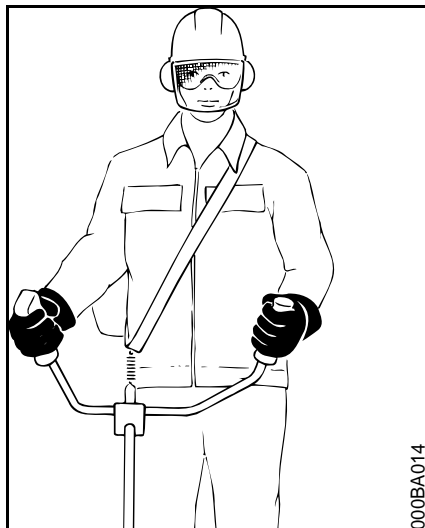
California and some other authorities, for instance, have published lists of substances known to cause cancer, reproductive toxicity, etc.

Control dust and fumes at the source where possible. In this regard use good work practices and follow the recommendations of OSHA/NIOSH and occupational and trade associations. When the inhalation of toxic dust and fumes cannot be eliminated, the operator and any bystanders should always wear a respirator approved by NIOSH/MSHA for the type of dust and / or fumes encountered.

**⚠ Warning!**

The muffler and other parts of the engine (e.g. fins of the cylinder, spark plug) become hot during operation and remain hot for a while after stopping the engine. To reduce risk of burns do not touch the muffler and other parts while they are hot.

Do not cut any material other than grass, brush and wood. The cutting tools may be used only for the operations described in your manual.



Always hold the clearing saw firmly with both hands. Wrap your fingers tightly around the handles, keeping the handles cradled between your thumb and forefinger. Keep your hands in this position to have your clearing saw under control at all times. Make sure your clearing saw handles and grip are in good condition and free of moisture, pitch, oil or grease.

**⚠ Warning!**

Never attempt to operate any clearing-saw with one hand. Loss of control of the clearing saw resulting in serious or fatal injury may result.

**⚠ Warning!**

Do not overreach. Keep proper footing and balance at all times. Special care must be taken in slippery conditions (wet ground, snow) and in difficult, overgrown terrain. Watch for hidden obstacles such as tree stumps, roots and ditches to avoid stumbling. Be extremely cautious when working on slopes or uneven ground.

**⚠ Warning!**

Before cutting, inspect the area for stones, glass, pieces of metal, trash or other solid objects. The cutting attachment could throw objects of this kind.

**⚠ Warning!**

When using rigid blades, avoid cutting close to fences, sides of buildings, tree trunks, stones or other such objects that could cause the clearing saw to kick out or could cause damage to the blade. STIHL recommends use of the nylon line heads or PolyCut head for such jobs. In addition, be alert to an increased possibility of ricochets in such situations.

**⚠ Warning!**

This clearing saw is normally to be used at ground level with the cutting attachment parallel to the ground. Use of a clearing saw above ground level or with the cutting attachment perpendicular to the ground may increase the risk of injury, since the cutting attachment is more fully exposed and the clearing saw may be more difficult to control. Never use your clearing saw as a hedge trimmer.

Do not operate using the starting throttle lock as you do not have control of the engine speed. See section of your owner's manual on the proper use of the slide control.

If the cutting tool or deflector becomes clogged or stuck, always turn off the engine and make sure the cutting tool has stopped before cleaning. Grass, weeds, etc. should be cleaned off the cutting tool at regular intervals.

**⚠ Warning!**

During cutting, check the tightness and the condition of the cutting tool at regular intervals. If the behavior of the tool changes, stop the engine immediately, and check the nut securing the tool for tightness and the cutting tool for cracks and damage. Replace cracked, bent, warped, damaged or dull cutting tools immediately. Such tools may shatter at high speed and cause serious or fatal injury.

**⚠ Warning!**

A loose blade may cause the blade to vibrate, crack, break or come off the clearing saw, which may result in serious or fatal injury. Make sure that the blade is properly tightened. Use the wrench supplied or one of sufficient length to obtain the proper torque. If the blade loosens after being properly tightened, stop work immediately. The retaining nut may be worn or damaged and should be replaced. Never use unauthorized parts to secure the blade. If the blade continues to loosen, see your STIHL dealer. Never use a clearing saw with a loose blade.

Do not attach any blade to a unit without proper installation of all required parts. Never use unauthorized parts to secure the blade. Failure to use the proper parts may cause the blade to fly off and seriously injure the operator or bystanders.

**⚠ Warning!**



Keep hands and feet away from cutting tool. Never touch a rotating cutting tool with your hand or any part of your body. It continues to rotate for a short period after the throttle trigger is released (flywheel effect).

### Important adjustments

**⚠ Warning!**

To reduce the risk of personal injury from loss of control or contact with the running cutting tool, do not use a cutting tool with incorrect idle adjustment. At correct idle speed, the cutting tool should not move. For directions on how to adjust idle speed, see the appropriate section of your owner's manual.

If you cannot set the correct idle speed, have your STIHL dealer check your clearing saw and make proper adjustments and repairs.

### MAINTENANCE, REPAIR AND STORING

**Maintenance, replacement, or repair of the emission control devices and systems may be performed by any nonroad engine repair establishment or individual. However if you claim warranty coverage for a component which has not been serviced or maintained properly or if nonapproved replacement parts were used, STIHL may deny warranty.**

**⚠ Warning!**

Use only identical STIHL replacement parts for maintenance and repair. Use of non-STIHL parts may cause serious or fatal injury.

Follow the maintenance and repair instructions in the appropriate section of your owner's manual. Please refer to the maintenance chart on the last pages of this manual.

**⚠ Warning!**

Always stop the engine and make sure that the cutting tool is stopped before doing any maintenance or repair work or cleaning the clearing saw. Do not attempt any maintenance or repair work not described in your owner's manual. Have such work performed at your STIHL service shop only.

Wear gloves when handling or doing maintenance on blade.

**⚠ Warning!**

Never repair damaged cutting attachments by welding, straightening or modifying the shape. This may cause parts of the cutting tool to come off and result in serious or fatal injuries.

**⚠ Warning!**

To reduce the risk of fire and burn injuries, check fuel filler cap for leaks at regular intervals. Use the specified spark plug and make sure it and the ignition lead are always clean and in good condition. Always press spark plug boot snugly onto spark plug boot of the proper size. (Note: If boot has detachable SAE adapter nut, it must be attached.) A loose connection between spark plug boot and ignition wire connector in the boot may create arcing that could ignite combustible fumes and cause a fire.

**⚠ Warning!**

Never test the ignition system with ignition wire boot removed from spark plug or with unseated spark plug, since uncontained sparking may cause a fire.

**⚠ Warning!**

Do not operate your clearing saw if the muffler is damaged, missing or modified. An improperly maintained muffler will increase the risk of fire and hearing loss. Never touch a hot muffler or burn will result. If your muffler was equipped with a spark-arresting screen to reduce the risk of fire (e.g. in the USA, Canada and Australia), never operate your clearing saw if the screen is missing or damaged. Do not modify or remove any part of the muffler or spark arresting screen. Remember that the risk of forest fires is greater in hot or dry weather.

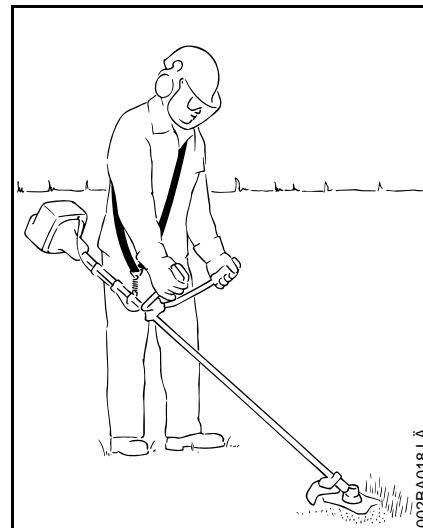
Keep cutting tool sharp. Tighten all nuts, bolts and screws, except the carburetor adjustment screws, after each use.

Additionally, the daily maintenance schedule for your clearing saw set forth in your STIHL Owner's Manual should be strictly followed.

For any maintenance please refer to the maintenance chart **and to the warranty statement** near the end of this manual.

Store clearing saw in a dry, high or locked location out of reach of children.

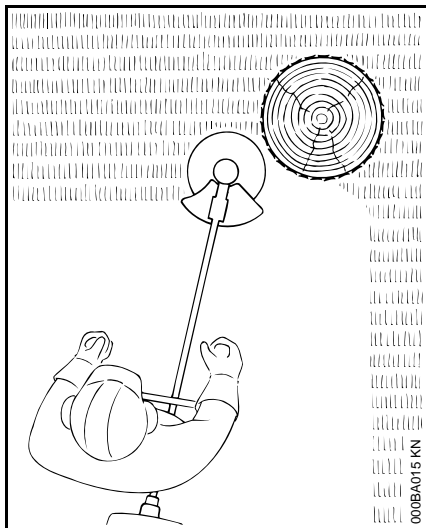
Before storing for longer than a few days, always empty the fuel tank. See chapter "Storing the machine".

**USING THE CUTTING TOOLS**

For an illustration of the various cutting tools and instructions on proper mounting see the chapter on "mounting the cutting tools" in your owner's manual.

**Using the mowing heads**

Do not use with mowing line longer than the intended diameter. With a properly mounted guard, the built-in cutter will automatically adjust the line to its proper length. Overly long lines can overload the engine, resulting in damage to the clutch mechanism and nearby parts.



A damaged clutch may cause a cutting attachment to rotate at idle speed and increase the risk of personal injury from loss of control and from contact with the cutting tool.

The STIHL SuperCut, TrimCut, AutoCut and PolyCut mowing heads produce a clean and tidy finish.

They are to be used only on brush-cutters equipped with a limiter blade in the deflector in order to keep the line at the proper length (see "Parts and Controls" chapter of this manual).

If the lawn edges are planted with trees or bordered by a fence etc., it is best to use a nylon line head. It achieves a "softer" cut with less risk of damaging tree bark etc. than with the polymer blades.

However, the polymer bladed STIHL "PolyCut" produces a better cut if there are no plants along the edge of the lawn. Sharpening is not necessary and worn grass cutting blades are easily replaced.

**Warning!**

To reduce the risk of serious injury, never use wire or metal-reinforced line or other material in place of the nylon cutting lines. Pieces of wire could break off and be thrown at high speed toward the operator or bystanders.

**STIHL "SuperCut" mowing head**

Fresh line is advanced automatically. Frayed line is replaced by a simple adjustment (see instruction sheet supplied with mowing head).

**STIHL "TrimCut" mowing head**

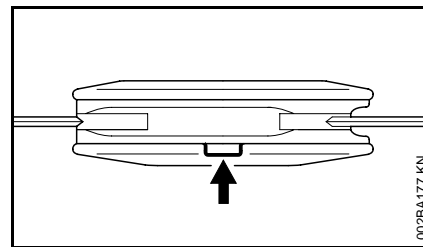
Frayed line is replaced by a simple adjustment (see instruction sheet supplied with mowing head).

**STIHL "AutoCut" mowing head**

Nylon cutting cord advances automatically when tapped against the ground.

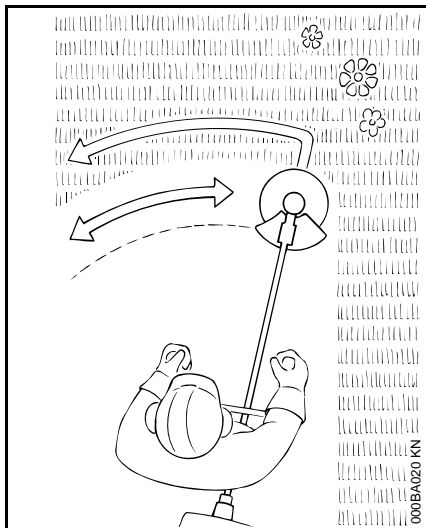
**STIHL "PolyCut" mowing head**

Uses either nylon lines or nonrigid plastic blades.



**Important!**

Three rectangular wear limit marks are applied to the base (periphery) of the PolyCut. To reduce the risk of serious injury from breakage of the head or blades, the PolyCut must not be used when it has worn as far as one of these marks. It is important to follow the maintenance instructions supplied with the head!



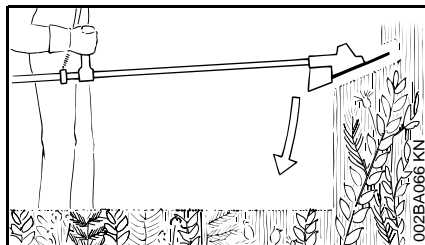
### Using the grass cutting blade

All kinds of grass and weeds can be easily cut with the grass cutting blade. The clearing saw is swept in an arc similar to a scythe.

#### **⚠ Warning!**

To reduce the risk of serious or fatal injury never attempt to cut woody materials.

The **4-tooth** grass cutting blade is intended to cut grass and weeds. It has 4 cutting knives with cutting edges on both sides, i.e. front and rear.



The **8-tooth** grass cutting blade is recommended for cutting fern or reed.

Both blades have to be resharpened when all cutting edges are dull.

### Using the brush knife

When fitted to the clearing saw, the brush knife is suitable for applications ranging from cutting matted grass to clearing weeds, wild growth and scrub.

To cut wild growth and scrub, lower the rotating brush knife down onto the growth to achieve a chopping effect. Use the clearing saw like a scythe to cut grass, i.e. sweep it to and for in an arc.

#### **⚠ Warning!**

When cutting woody materials, use the left side of the blade to avoid "kickout" (blade thrust) situations.

#### **⚠ Warning!**

Improper use of a brush knife may cause it to crack, chip or shatter.

Thrown parts may seriously injure the operator or bystanders. To reduce the risk of personal injury it is essential to take the following precautions:

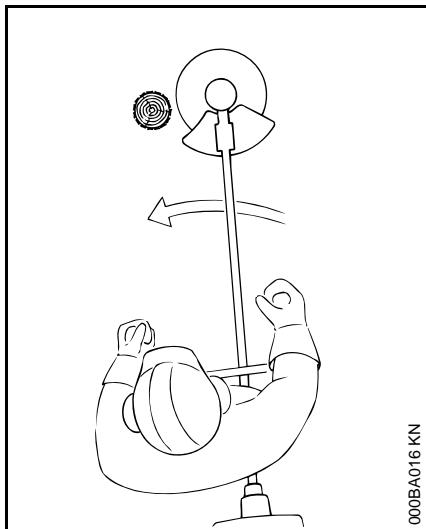
Avoid contact with hard or solid foreign objects such as stones, rocks or pieces of metal.

Never cut wood or shrubs with a stem diameter of more than **2 cm (3/4")** - use a circular saw blade for such work. Inspect the brush knife at regular short intervals for signs of damage. Do not continue working with a damaged brush knife. Resharpener the brush knife regularly (when it has dulled noticeably).

#### **⚠ Warning!**

When cutting young saplings or other woody materials up to **2 cm (3/4")** in diameter, use left side of the blade to avoid "kickout" situations (see appropriate section in this manual). Do not attempt to cut woody material with a larger diameter, since the blade may catch or jerk the clearing saw forward. This may cause damage to the blade or clearing saw or loss of control of the clearing saw, resulting in personal injury.





### Using the circular saw blade

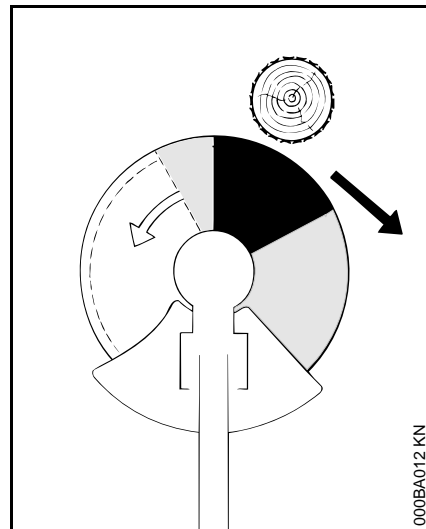
Circular saw blades are suitable for thinning brush and cutting small trees up to a diameter of **4 cm (1 9/16")**. Do not attempt to cut trees with larger diameters, since the blade may catch or jerk the clearing saw forward. This may cause damage to the blade or loss of control of the clearing saw which may result in serious injury.

When the clearing saw with circular saw blade is used to cut down small trees, STIHL recommends that the standard deflector be removed and replaced by the special "stop" (see chapter "circular saw blade" for mounting instructions). This stop helps to keep the clearing saw positioned against the tree during the cutting process. Inexperienced users should place the left side of the stop against the tree trunk before beginning to cut. This will keep the clearing saw against the tree during the cutting operation and will reduce the risk of loss of control and possible kickout (described in the following section).

#### **Warning!**

In order to reduce the risk of injury from thrown objects or from operator contact with the cutting tool, be sure to remount the standard deflector for all other uses.

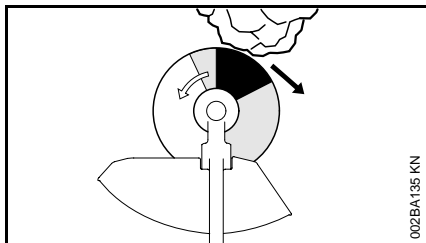
Before starting the cut, accelerate the engine up to full throttle. Perform cut with uniform pressure. STIHL recommends that the circular saw blade be applied to the right of the tree, using the non-shaded area of the blade.



#### **Warning!**

The risk of kickout is highest when cutting in the darker shaded area. To reduce the risk of kickout and resulting injury, do not use this area of the circular saw blade for cutting trees or shrubs. Special techniques using the lighter shaded areas of the blade to cut shrubs and trees should only be used by experienced operators with specialized training in use and control of the clearing saw.

### Risk of "kickout" (blade thrust) with all rigid cutting blades



#### **⚠ Warning!**

Kickout (blade thrust) is the sudden and uncontrolled motion towards the operator's right or rear that can occur when the shaded area of the rotating blade comes in contact with a solid object like a tree, rock, bush or wall. The rapid counterclockwise rotation of the blade may be stopped or slowed, and the cutting attachment may be thrown in an area to the right or to the rear.

This kickout (blade thrust) may cause loss of control of the clearing saw and may result in serious or fatal injury to the operator or bystanders. To reduce the risk of injury, extreme caution should be used when cutting with the shaded area of any rigid blade.

## Approved Combinations of Cutting Tool, Deflector, Stop and Harness

### Cutting tools

#### Mowing heads

- 1 STIHL SuperCut 40-2
- 2 STIHL AutoCut 40-2
- 3 STIHL AutoCut 40-4 <sup>1)</sup>
- 4 STIHL TrimCut 40-2
- 5 STIHL PolyCut 40-3

#### Metal mowing tools

- 6 Grass cutting blade 230-4
- 7 Grass cutting blade 255-8
- 8 Brush knife 300-3

#### Circular saw blades

- 9 Chisel tooth  
circular saw blade 200
- 10 Scratcher tooth  
circular saw blade 200
- 11 Chisel tooth  
circular saw blade 225 <sup>2)</sup>
- 12 Scratcher tooth  
circular saw blade 225 <sup>2)</sup>

### Deflectors

- 13 Deflector for mowing heads **1 to 5**
- 14 Deflector **with** skirt and blade  
for mowing heads **1 to 5**
- 15 Deflector **without** skirt and blade for  
mowing tools **6 to 8**

### Limit Stops

- 16 Limit stop for circular saw  
blades 200
- 17 Limit stop for circular saw  
blades 225

### Harnesses

- 18 Full harness
- 19 Deluxe full harness


### Equipment

Among other parts, the complete unit includes:


- Cutting tool
- Deflector or limit stop
- Bike handle
- Harness

### Approved Combinations

Select correct combination from the table on the next page on basis of the cutting tool.

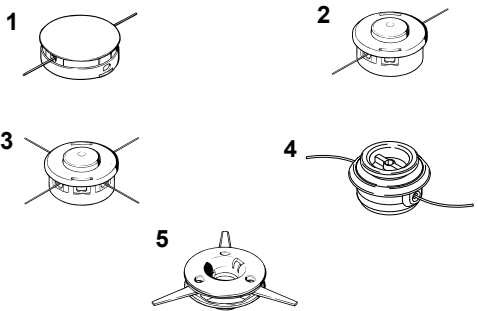
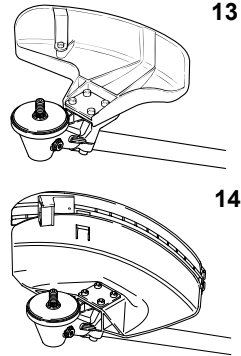

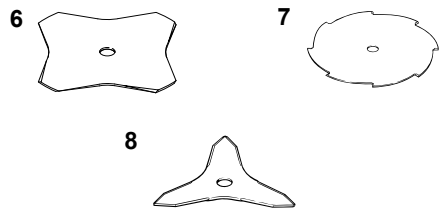
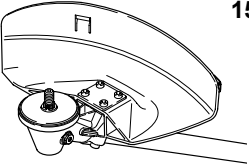


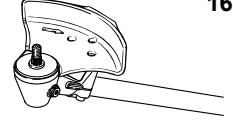

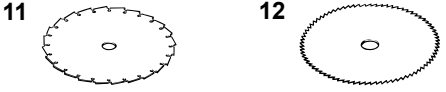
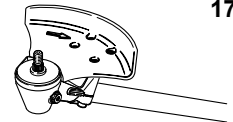

 **For safety reasons only the tools, deflectors, handles and harnesses shown in each row of the table may be used together.**

**No other combinations are permitted because of the risk of accidents.**

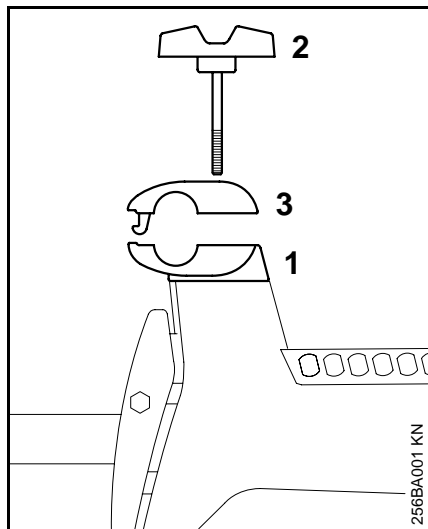
 **To reduce the risk of personal injury, take special care to avoid contact with the rotating cutting tool.**

<sup>1)</sup> for FS 450, 450 K, 450 L, 480, 480 K, 480 L only

<sup>2)</sup> for FS 400, 400 K, 400 L, 450, 450 K, 450 L, 480, 480 K, 480 L only

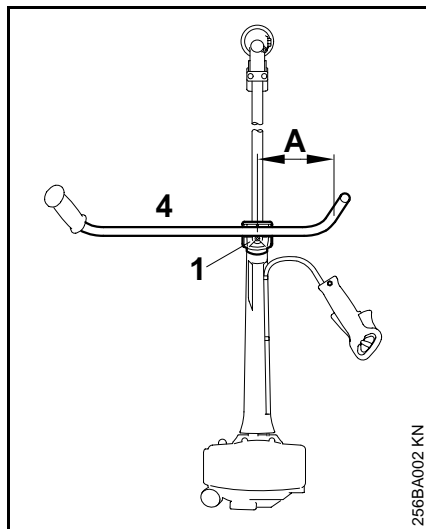
Cutting tools	Deflectors, Limit Stops	Harnesses
		
		
		
		

## Mounting the Bike Handle

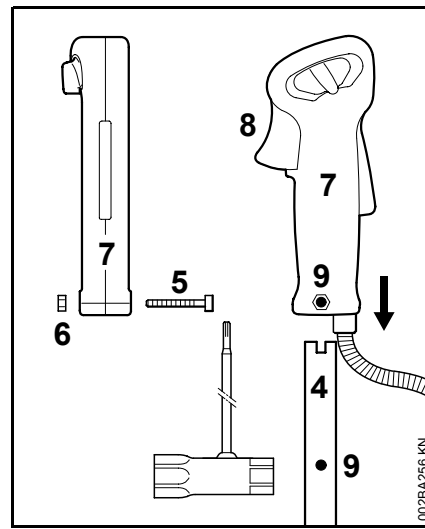


- Hold the lower clamp (1) steady.
- Unscrew and remove the clamp screw (2).
- Remove the upper clamp (3) from the lower clamp.

💡 Upper and lower clamps are loose once the clamp screw has been removed.



- Place the handlebar (4) in the lower clamp (1) so that distance A is no more than 15 cm (6 in).
- Place upper clamp in position and press it down.
- Fit the clamp screw.
- Line up handlebar at right angles to the drive tube.
- Tighten down the clamp screw.



- Loosen the screw (5), the nut (6) remains in the control handle (7).
- Push the control handle – throttle trigger (8) facing the gearhead – onto the handlebar (4) so that the holes (9) line up.
- Insert screw and tighten it down firmly.
- Go to "Adjusting the Throttle Cable"

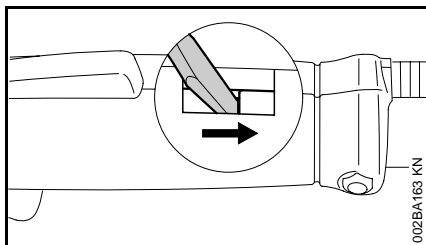
💡 To save space when transporting or storing the machine, loosen the clamp screw and swing the handlebar in line with the shaft, fold the handles down.

## Adjusting the Throttle Cable

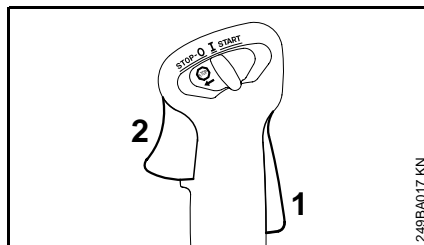
Some machine versions are equipped with a throttle cable adjuster in the control handle.

💡 A properly adjusted throttle cable is the precondition for correct operation in the full throttle, starting throttle and idle positions.

Adjust the throttle cable only after the unit is fully assembled – the control handle must be in the normal operating position.

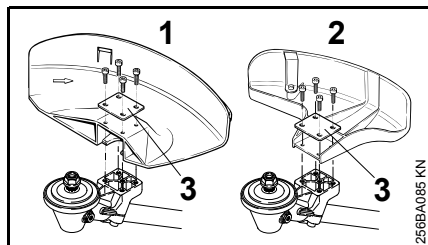


- Use a suitable tool to push the slide to the bottom of the slot (see illustration).



- Press down the trigger interlock (1) and squeeze the throttle trigger (2) (full throttle) – this sets the throttle cable correctly.

## Mounting the Deflectors and Limit Stop

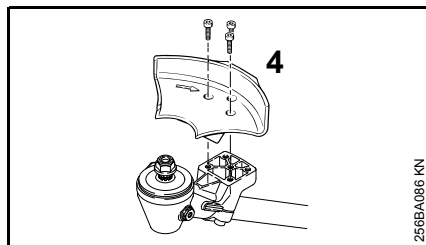


### Deflectors

- 1 = Deflector for mowing tools
- 2 = Deflector for mowing heads

### Mounting the Deflector

- Place the deflector in position.
- Fit the plate (3).
- Insert the screws and tighten them down firmly.

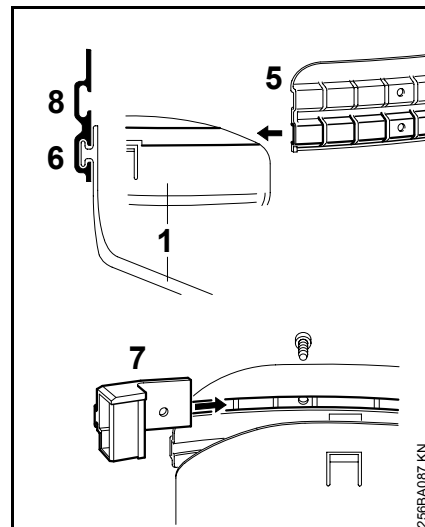


### Limit Stop

- 4 = Limit stop for circular saw blades.

### Mounting the Limit Stop

- Place the stop in position.
- Insert the screws and tighten them down firmly.



If you use one of the mowing heads, note that the skirt (5) must be fitted onto the deflector (1):

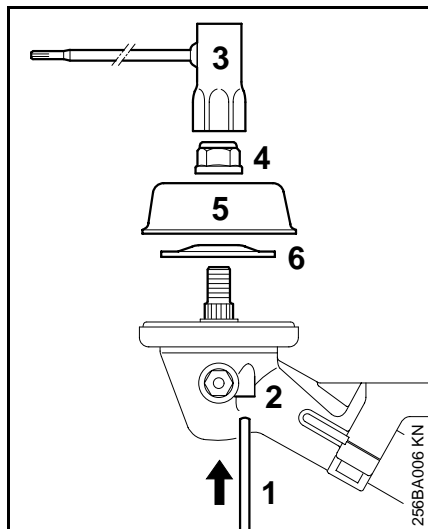
All nylon line mowing heads:

- Use the **lower** guide slot (6) and, in addition, push the blade (7) into the upper guide slot on the skirt – line it up with the first hole.
- Insert the screw and tighten it down firmly.

**PolyCut 40-3** mowing head:

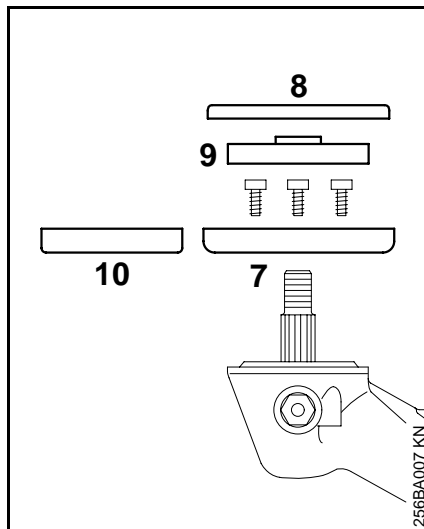
- Slide the skirt (8) into the **upper** guide slot.

## Mounting the Cutting Tools



### Blocking the Drive Shaft

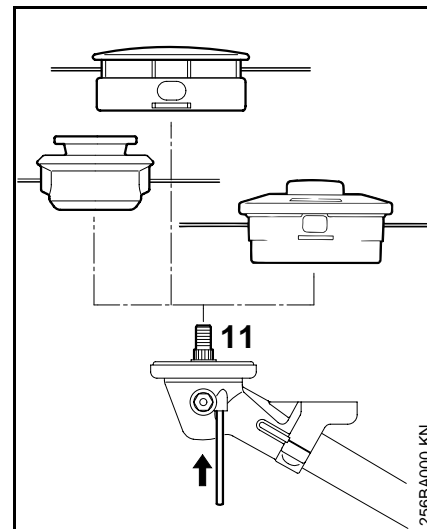
- Insert the stop pin (1) in the bore (2) in the gearhead as far as stop, apply slight pressure.
- Rotate the output shaft until the stop pin slips into position.
- Use combination wrench (3) to loosen and unscrew the nut (4) **clockwise**.
- Remove the rider plate (5) and thrust washer (6).



The guard ring (7) for mowing applications and guard washer (8) should be fitted to ensure optimum protection from grass cuttings when using **mowing tools**.


Before mounting a **circular saw blade**:

- Remove the guard washer (8) and pull off the thrust plate (9).
- Remove the guard ring (7) for mowing applications.
- Fit the guard ring (10) for saw blades and the thrust plate.



### STIHL SuperCut Mowing Head STIHL AutoCut Mowing Head STIHL TrimCut Mowing Head

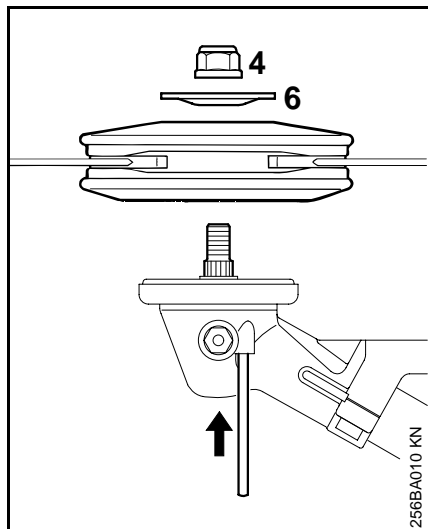
- Block the output shaft with the stop pin.
- Screw cutting head **counter-clockwise** onto the output shaft (11) and tighten it down firmly

 Remove the stop pin.

### Removing the mowing head

- Block the output shaft.
- Unscrew the mowing head **clockwise**.






### STIHL PolyCut 40-3 Mowing Head

- Block the output shaft with the stop pin.
- Position the mowing head on the shaft.
- Fit the thrust washer (6) – convex side must face down.
- Screw on the nut (4) **counter-clockwise** and tighten it down firmly.



Remove the stop pin.

### Removing the mowing head

- Block the output shaft.
  - Unscrew the nut **clockwise**.
-  If the mounting nut is too loose, fit a new one.

### Adjusting Nylon Line

#### Note:

A detailed description is contained in the instruction sheet supplied with the mowing head.

#### SuperCut mowing head

Fresh line is advanced automatically during mowing work and trimmed to the correct length by the blade on the deflector.

Line feed operates only if both lines are still at least 2.4 in (6 cm) long.

#### AutoCut mowing head

Hold unit with engine running (mowing head must rotate) above the lawn.

- Tap the mowing head on the ground – fresh line is advanced and the blade on the deflector trims surplus line to the correct length.

Line feed operates only if both lines are still at least 1 in (2.5 cm) long.

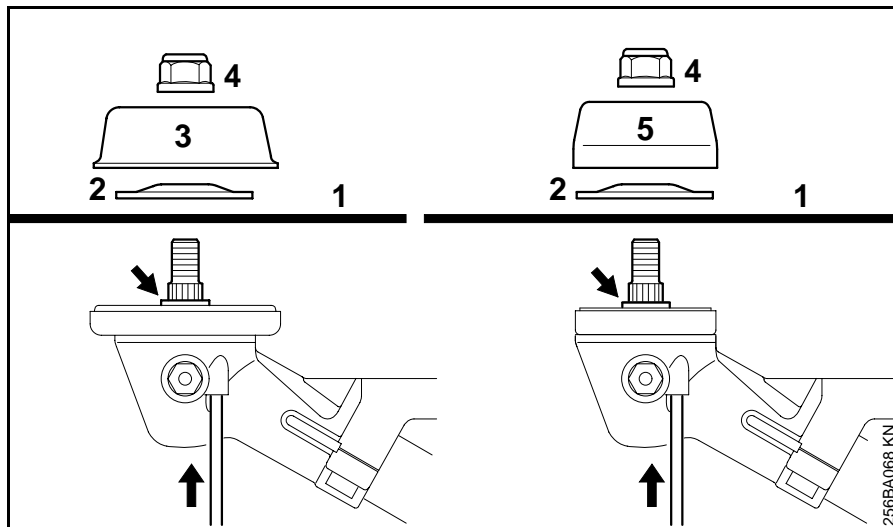
### TrimCut mowing head

Shut off the engine and move the slide control to 0. Hold mowing head housing firmly and

- Pull spool up – rotate it about 1/6 turn counterclockwise and allow it to spring back.
- Pull ends of lines outward.

Repeat the above procedure as necessary until both lines are 5.5 in (14 cm) long.

Rotating the spool from one stop to the next advances about 1.6 in (4 cm) of fresh line.



- Fit rider plate (5) for sawing.
- Block the output shaft.
- Screw on nut (4) **counterclockwise** and tighten it down firmly.

#### Removing the cutting tool

- Block the output shaft.
  - Unscrew the nut **clockwise**.
- ⚠ If the mounting nut is too loose, fit a new one.

#### Grass Cutting Blades, Brush Knife

- Place the cutting tool (1) in position.
- ⚠ Collar (**see arrow**) must engage the cutting tool's mounting hole.

Grass cutting blade 255-8:

- ⚠ Cutting edges must point clockwise.
- Fit thrust washer (2) – convex side must face up.
  - Fit rider plate (3) for mowing.
  - Block the output shaft.
  - Screw on nut (4) **counterclockwise** and tighten it down firmly.

#### Removing the cutting tool

- Block the output shaft.
  - Unscrew the nut **clockwise**.
- ⚠ If the mounting nut is too loose, fit a new one.

#### Circular Saw Blades 200 and 225

- Place the cutting tool (1) in position.
- ⚠ Collar (**see arrow**) must engage the cutting tool's mounting hole.
- ⚠ Cutting edges must point clockwise.
- Fit thrust washer (2) – convex side must face up.

## Fuel

This engine is certified to operate on unleaded gasoline and the STIHL two-stroke engine oil at a mix ratio of 50:1.

Your engine requires a mixture of high-quality gasoline and quality two-stroke air cooled engine oil.

Use mid-grade unleaded gasoline with a minimum octane rating of 89 (R+M/2). If the octane rating of the mid-grade gasoline in your area is lower, use premium unleaded fuel.

Fuel with a lower octane rating may increase engine temperatures. This, in turn, increases the risk of piston seizure and damage to the engine.

The chemical composition of the fuel is also important. Some fuel additives not only detrimentally affect elastomers (carburetor diaphragms, oil seals, fuel lines, etc.), but magnesium castings and catalytic converters as well. This could cause running problems or even damage the engine. For this reason STIHL recommends that you use only nationally recognized high-quality unleaded gasoline!

Use only STIHL two-stroke engine oil or equivalent high-quality two-stroke engine oils that are designed for use only in air cooled two-cycle engines.

We recommend STIHL 50:1 two-stroke engine oil since it is specially formulated for use in STIHL engines.

Do not use BIA or TCW rated (two-stroke water cooled) mix oils or other mix oils that state they are for use in both water cooled and air cooled engines (e.g., outboard motors, snowmobiles, chainsaws, mopeds, etc.).

Take care when handling gasoline. Avoid direct contact with the skin and avoid inhaling fuel vapor. When filling at the pump, first remove the canister from your vehicle and place the canister on the ground before filling. Do not fill fuel canisters that are sitting in or on a vehicle.

The canister should be kept tightly closed in order to avoid any moisture getting into the mixture.

The machine's fuel tank and the canister in which fuel mix is stored should be cleaned as necessary.

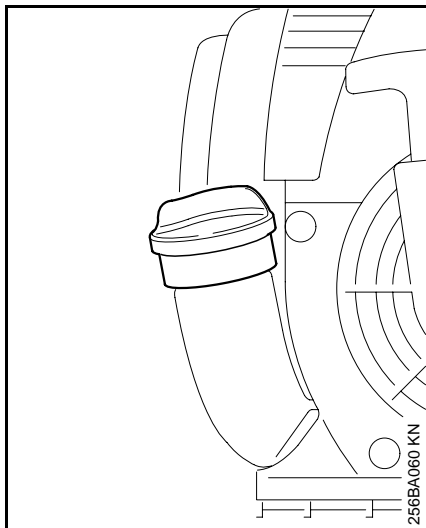
### Fuel mix ages

Only mix sufficient fuel for a few days work, not to exceed 3 months of storage. Store in approved fuel-canisters only. When mixing, pour oil into the canister first, and then add gasoline. Close the canister and shake it vigorously by hand to ensure proper mixing of the oil with the fuel.

Gasoline	Oil (STIHL 50:1 or equivalent high-quality oils)
US gal.	US fl.oz
1	2.6
2 1/2	6.4
5	12.8

Dispose of empty mixing-oil canisters only at authorized disposal locations.

## Fueling

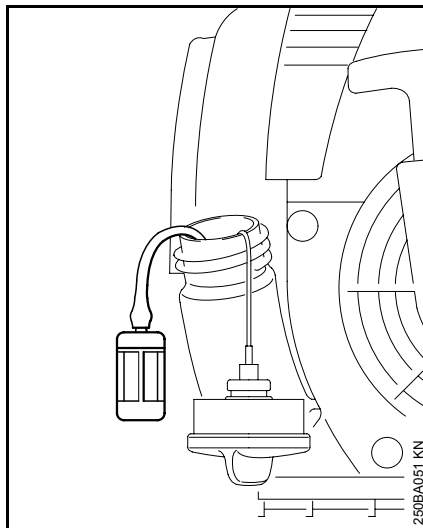


Before fueling, clean the filler cap and the area around it to ensure that no dirt falls into the tank.

Always thoroughly shake the mixture in the can before fueling your machine.

**⚠** In order to reduce the risk of burns or other personal injury from escaping gas vapor and fumes, remove the fuel filler cap carefully so as to allow any pressure build-up in the tank to release slowly..

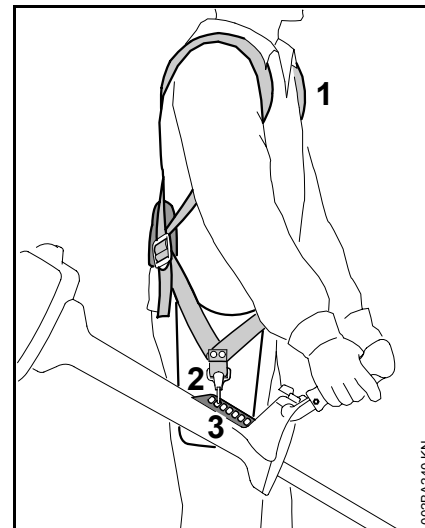
**⚠** After fueling, tighten down the filler cap by hand **as securely as possible**.



**Change the fuel pickup body every year.**

Before storing your machine for a long period, drain and clean the fuel tank. Run the engine until the carburetor is dry.

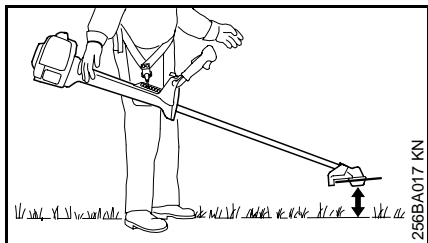
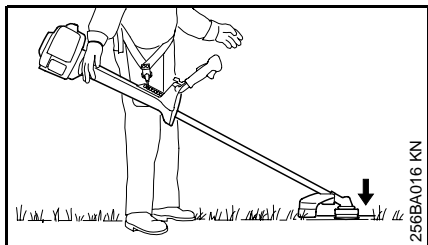
## Fitting the Harness



- Put on the full harness (1).
- Adjust length until the spring hook (2) is about a hand's width below your right hip. Over-long straps can be cut to length after making the adjustments.
- Attach the spring hook to the machine's perforated strip (3).

Find the right attachment point for the cutting tool you are using – see section "Balancing the Machine".

## Balancing the Machine

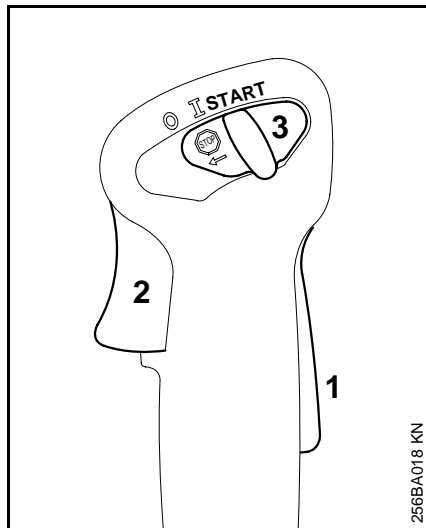


- Attach machine to the harness. Let it go and check to see how it is balanced – change the attachment point of the spring hook as necessary:

**Mowing tools** (mowing heads, grass cutting blades, brush knives, Shredder blades) should just touch the ground (top illustration).

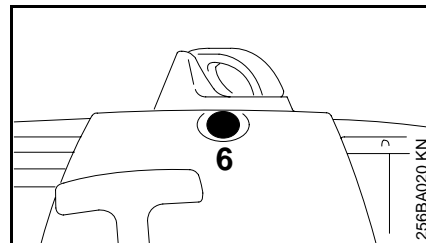
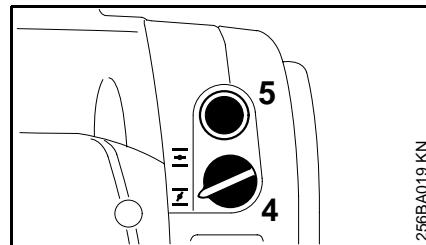
**Circular saw blades** should "hover" about 20 cm (8 in) above the ground (bottom illustration).



## Starting / Stopping the Engine



### Starting


- Observe safety precautions – see section "Safety Precautions" in this manual.
- Hold down the trigger interlock (1) and squeeze the throttle trigger (2). Keep both levers in that position.
- Move the slide control (3) to **START** and hold it there.
- Now release the throttle trigger, slide control and throttle trigger interlock in that order. This is the **starting throttle position**.



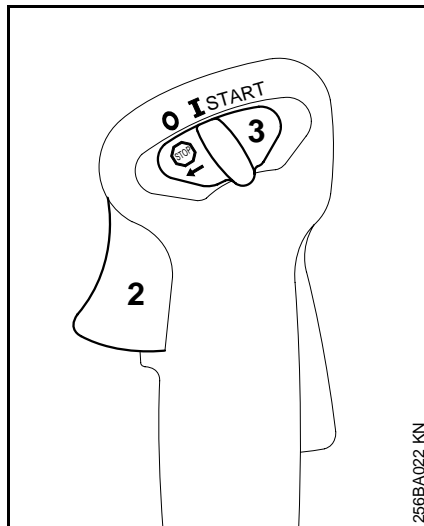
- Set the choke knob (4):  
**For cold start to **  
**For warm start to **  
 (Also use this setting if engine has been running but is still cold)
- Press the fuel pump bulb (5) at least five times, even if the bulb is still filled with fuel.
- Press in decompression valve button (6). Press this button again for **each starting attempt**.



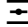
- Place the unit on the ground: It must rest securely on the engine support and the deflector. Check that the cutting tool is not touching the ground or any other obstacles.
- Make sure you have a firm footing.
- Press the unit **firmly** against the ground with your left hand.

 Do not stand or kneel on the drive tube.

- Pull the starter grip slowly with your right hand until you feel it engage – and then give it a brisk strong pull. Do not pull out the starter rope to full length – it might break.
- Do not let the starter grip snap back – guide it slowly into the housing so that the starter rope can rewind properly.
- **Continue cranking.**



#### When engine begins to fire

- Turn the choke knob to 
- Press in decompression valve button again and continue cranking.

#### As soon as the engine runs

- Blip the throttle trigger (2) so that the slide control (3) moves to the normal run position **I** and the engine settles down to idle speed.

Make sure the carburetor is correctly adjusted – the cutting tool must not rotate when the engine is idling.

**Your brushcutter is now ready for operation.**

#### To shut down the engine


- Move the slide control to 0 

#### At very low outside temperatures:

- As soon as engine runs:
- Blip the throttle trigger. The slide control moves to the normal run position **I** and the engine settles down to idle speed.
  - Open the throttle slightly.
  - Warm up engine for brief period.

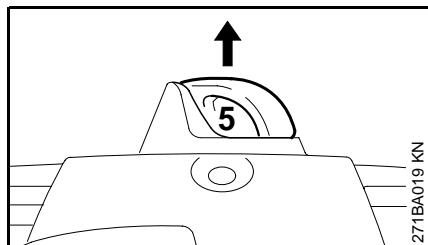
FS 400, 450: Change over to winter operation if necessary – see chapter "Winter Operation".

#### If the engine does not start



If you did not turn the choke knob to  (warm start) quickly enough after the engine began to fire, the combustion chamber has flooded.

- Set slide control, interlock lever and throttle trigger to the starting throttle position.
- Start the engine by pulling the starter rope firmly. 10 to 20 pulls may be necessary.

## Operating Instructions



### If the engine still does not start:

- Move the slide control to **0** 
- Pull off the spark plug boot (5).
- Unscrew and dry off the spark plug.
- Open the throttle wide.
- Crank the engine several times with the starter to clear the combustion chamber.
- Refit the spark plug. Connect the spark plug boot (press it down firmly).
- Move the slide control to **START**.
- Set the choke knob to  – even if the engine is cold.
- Now start the engine.

### Throttle cable

- Check adjustment of the throttle cable – see "Adjusting the Throttle Cable".

### Tank run until dry and then refueled

- Press the fuel pump bulb at least five times – even if bulb is filled with fuel.

### During break-in period

A factory new machine should not be run at high revs (full throttle off load) for the first three tank fillings. This avoids unnecessary high loads during the break-in period. As all moving parts have to bed in during the break-in period, the frictional resistances in the engine are greater during this period. The engine develops its maximum power after about 5 to 15 tank fillings.

### During operation

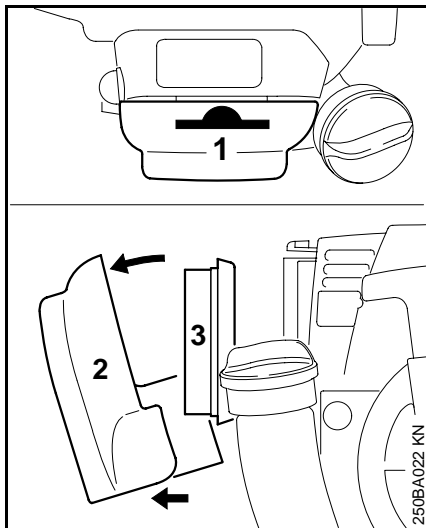
After a long period of full-throttle operation, allow engine to run for a while at idle speed so that the heat in the engine can be dissipated by flow of cooling air. This protects engine-mounted components (ignition, carburetor) from thermal overload.

### After finishing work

Wait for engine to cool down. Drain the fuel tank. Store the machine in a dry place. Check tightness of nuts and screws (not adjusting screws) at regular intervals and retighten as necessary.

## Cleaning the Air Filter

FS 300, 350



Dirty air filters reduce engine power, increase fuel consumption and make starting more difficult.

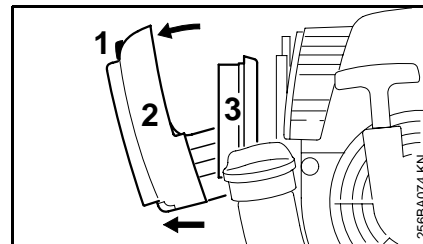
### If there is a noticeable loss of engine power

- Turn the choke knob to  $\overline{I}$
- Press in the tab (1).
- Pull off the filter cover (2).
- Clean away loose dirt from inside the filter cover and around the filter.

- Remove the filter element (3) and inspect it – replace if dirty or damaged.
- Fit the air filter in the cover.
- Push the filter cover into position.

## Cleaning the Air Filter

FS 400, 450, 480



Dirty air filters reduce engine power, increase fuel consumption and make starting more difficult.

### If there is a noticeable loss of engine power

- Turn the choke knob to  $\overline{I}$
- Loosen the mounting screw (1).
- Pull off the filter cover (2).
- Clean away loose dirt from inside the filter cover and around the filter.
- Remove the filter element (3) and inspect it – replace if dirty or damaged.
- Fit the air filter in the cover.
- Fit the filter cover.



## Motor Management

Exhaust emissions are controlled by the design of the fundamental engine parameters and components (e.g. carburation, ignition, timing and valve or port timing) without the addition of any major hardware.

## Adjusting the Carburetor

### General Information

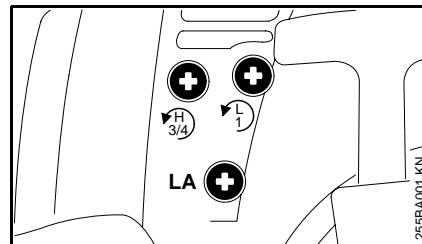
The carburetor comes from the factory with a standard setting.

This setting provides an optimum fuel-air mixture under most operating conditions.

With this carburetor it is only possible to adjust the high speed screw within fine limits.

### Standard Setting

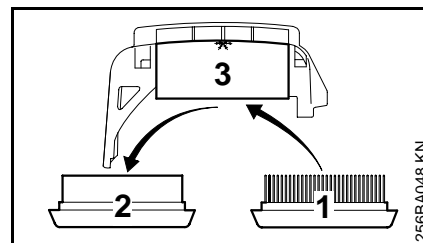
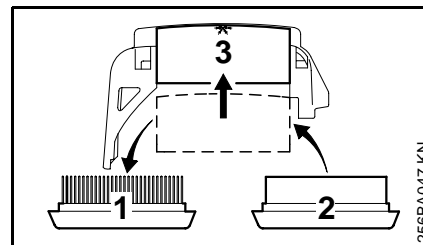
- Shut off the engine.
- Mount approved cutting tool.
- Check the air filter and replace if necessary.
- Check adjustment of the throttle cable and readjust if necessary – see "Adjusting the Throttle Cable".



- Turn high speed screw (**H**) counterclockwise (**max. 3/4 turn**) as far as stop.
- Carefully screw the low speed screw (**L**) down onto its seat. Then open it **one** turn counterclockwise.
- Start the engine and run it until it is warm.
- Adjust idle speed with the idle speed screw (**LA**) so that the cutting tool does not rotate.

## Winter Operation

### FS 400, 450, 480



Mount the "Intake Air Preheating" kit 4128 007 1001\* to prevent the air filter and carburetor icing up at temperatures below +10°C/ +50°F and in powdery or drifting snow.

- Remove the standard air filter (1).
- Install the special filter (2) for winter operation.
- Push cover (3) up against the underside of the filter cover. This is the **winter position** (upper illustration).

\* see "Guide to Using this Manual"

### Adjusting Idle Speed

#### Engine stops while idling

- Carry out standard setting with the low speed screw (L).
- Turn the idle speed screw (LA) clockwise until the engine runs smoothly – the cutting tool must not rotate.

#### Cutting tool rotates when engine is idling

- Turn the idle speed screw (LA) counterclockwise until the cutting tool stops rotating – then turn the screw about another **half to one full turn** in the same direction from that position.

#### Erratic idling behavior, poor acceleration

- Carry out standard setting with the low speed screw (L).
- **Idle setting too lean:**
- Turn low speed screw (L) counterclockwise until the engine runs and accelerates smoothly.

It is usually necessary to change the setting of the idle speed screw (LA) after every correction to the low speed screw (L).

#### Fine tuning the carburetor for operation at high altitude

A slight correction may be necessary if the engine does not run satisfactorily:

- Check standard setting.
- Warm up the engine.
- Turn the high speed screw (H) clockwise (leaner).

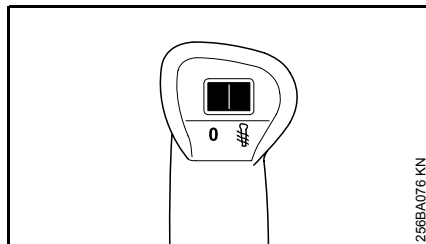
## Electric Handle Heating



## Checking the Spark Plug

At the end of the cold season:

- Remove the special air filter (2) for winter operation and install the standard filter (1) in its place.
- Push the cover (3) into the **summer position** (lower illustration).

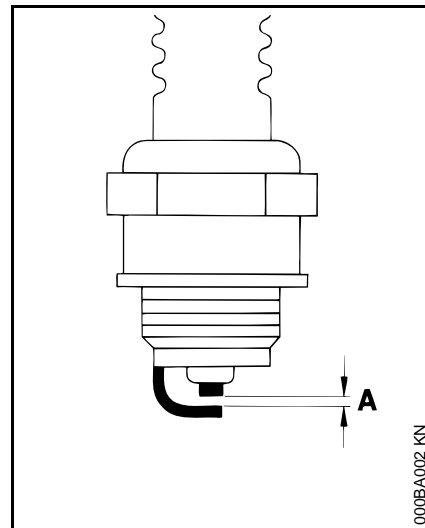


Switching on handle heating (special option)

- Move the switch in the left handle to #3 – move the switch back to O to turn off the heating.

If the handle temperature feels too high – move switch to O.

There is no risk of overheating during long periods of operation. The heating system is maintenance-free. Contact your servicing dealer if you have any problems.



Wrong fuel mix (too much engine oil in the gasoline), a dirty air filter and unfavorable running conditions (mostly at part throttle etc.) affect the condition of the spark plug. These factors cause deposits to form on the insulator nose which may result in trouble in operation.

## Engine Running Behavior

If engine is down on power, difficult to start or runs poorly at idling speed, first check the spark plug.

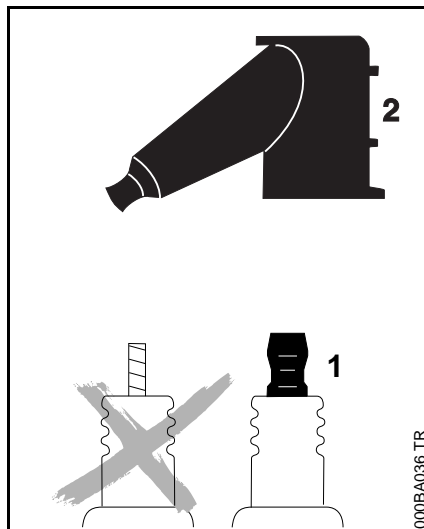
- Remove spark plug – see "Starting / Stopping the Engine".
- Clean dirty spark plug.
- Check electrode gap (**A**) and readjust if necessary – see "Specifications".
- Use only resistor type spark plugs of the approved range.

Rectify problems which have caused fouling of spark plug:

- Too much oil in fuel mix.
- Dirty air filter.
- Unfavorable running conditions, e.g. operating at part load.

**Fit a new spark plug after approx. 100 operating hours**

or earlier if the electrodes are badly eroded.



**⚠** To reduce the risk of fire and burn injury, use only spark plugs authorized by STIHL. Always press spark plug boot (**2**) snugly onto spark plug terminal (**1**) of the proper size. (Note: If terminal has detachable SAE adapter nut, it must be attached.)

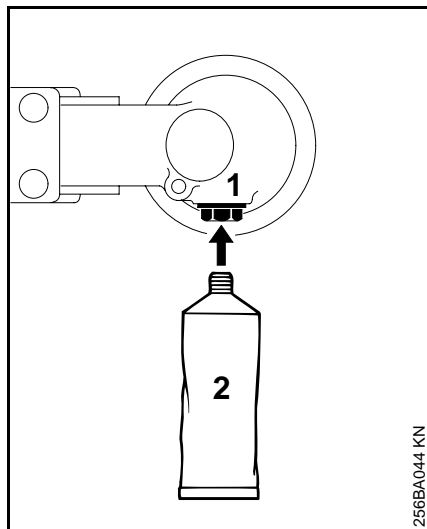
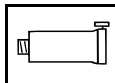
A loose connection between spark plug boot and ignition wire connector in the boot may create arcing that could ignite combustible fumes and cause a fire.

If engine running behavior is unsatisfactory even though the air filter is clean and the carburetor and throttle cable are properly adjusted, the cause may be in the muffler.

Have your STIHL dealer inspect the muffler for carbonization.


STIHL recommends that maintenance and repair work be carried out only by authorized STIHL dealers.

## Lubricating the Gearbox



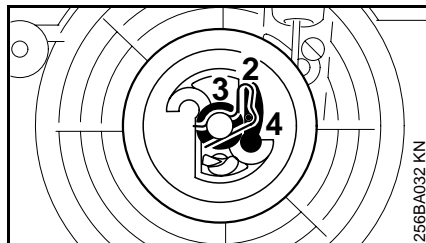
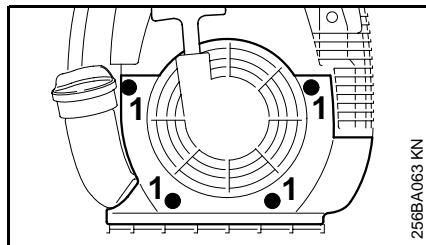
Use STIHL gear lubricant for brushcutters (see "Guide to Using this Manual").

- Check grease level about every 100 hours of operation.
- Unscrew the filler plug (1).
- If no grease can be seen on the inside of the filler plug, screw the tube of lubricant (2) into the filler hole.
- Squeeze grease into the gear housing – till 1/5 oz (5 g).


 Do not completely fill the gear housing with grease.

- Refit the filler plug and tighten it down firmly.

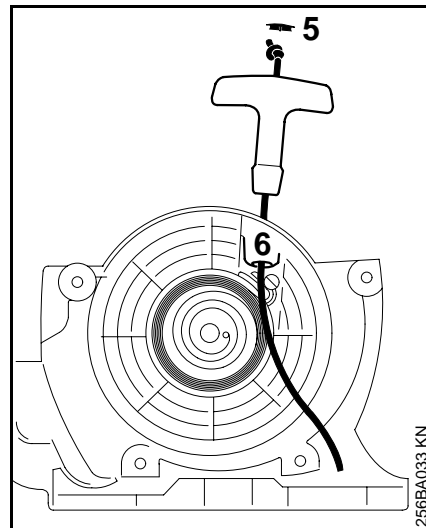
## Replacing the Starter Rope and Rewind Spring



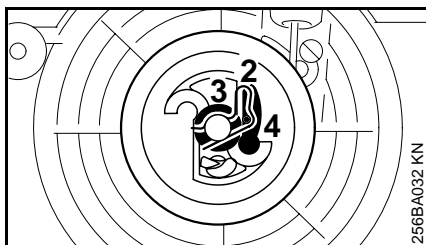
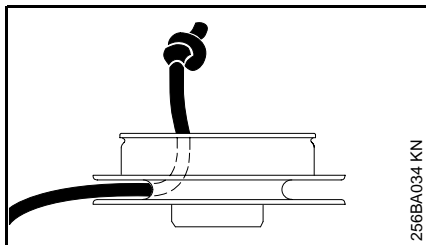
### Replacing the starter rope

 The rewind spring may pop out and uncoil – take care to avoid injury during the following operation.

- Remove the screws (1).
- Lift away the fan housing.
- Remove the spring clip (2).
- Carefully pull off the rope rotor with washer (3) and pawl (4).

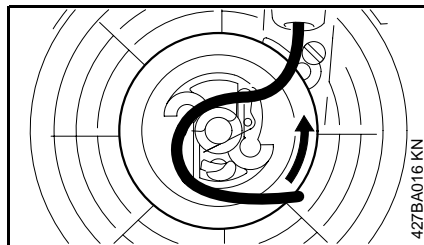


- Ease the cap (5) out of the starter grip.
- Remove remaining rope from the rotor and grip.
- Tie a simple overhand knot in the end of the new starter rope (see Specifications) and then thread the rope through the top of the grip and the rope bush (6).
- Refit the cap in the grip.



- Thread the rope through the rotor and secure it in the rotor with a simple overhand knot.
- Lubricate the rope rotor bearing bore with non-resinous oil (Special Accessories).
- Slide rotor onto starter post – turn it back and forth until the loop of the rewind spring engages.
- Fit the pawl (4) and washer (3), and press the spring clip (2) into position.


The spring clip must point counter-clockwise and engage the peg on the pawl.



### Tensioning the Rewind Spring


- Make a loop in the unwound starter rope and use it to turn the rope rotor six full revolutions in the direction of the arrow (see illustration).
- Hold the rotor steady – straighten the twisted rope.
- Seilrolle loslassen
- Release the rotor and let go of rope slowly so that it winds onto the rotor. The starter grip must sit firmly in the rope guide bush. If the grip droops to one side: Increase spring tension by one additional turn.

When the starter rope is **fully extended** it must be possible to rotate the rotor at least another half turn (FS 300, 350) or one and a half turns (FS 400, 450, 480)).

 If this is not possible, the spring is overtensioned and could break.

- Take one turn of the rope off the rotor.
- Fit the fan housing.

### Replacing the Rewind Spring

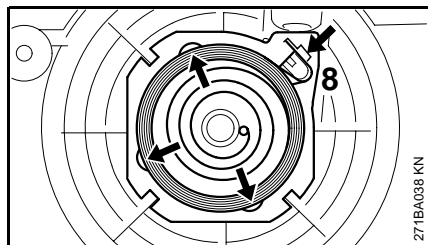
 Broken parts of the spring may still be under tension and could be thrown in your direction when you pull off the rope rotor and remove the spring housing. To reduce the risk of injury, wear eye and face protection and work gloves for the following operations:

- Remove the rope rotor as described in "Replacing the Starter Rope".

### FS 400, 450, 480)

- Remove screw from the outer spring loop.
- Remove parts of old spring.
- Lubricate the new spring with a few drops of non-resinous oil (Special Accessories).

## Storing the Machine

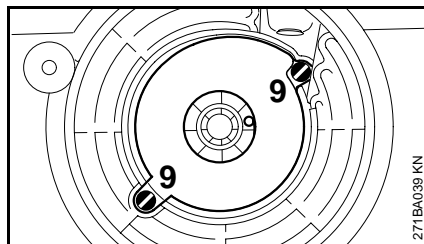


- Place spring **with frame** in position – check that outer spring loop (8) is correctly seated.
- Use a suitable tool to push the spring into the housing. Apply tool through the openings (see arrows). The frame slips off in this process.

If the spring pops out and uncoils during installation: Refit it in the spring housing in the counterclockwise direction – start outside and work inward.

- Fit the screw.
- Install the rope rotor as described in "Replacing the Starter Rope".
- Tension the rewind spring.
- Fit the fan housing.

### FS 300, 350



- Take out the screws (9).
- Remove the spring housing and parts of old spring.
- Lubricate the new spring spring in the new spring housing with a few drops of non-resinous oil (Special Accessories).
- Fit new spring with spring housing – bottom plate must face up.

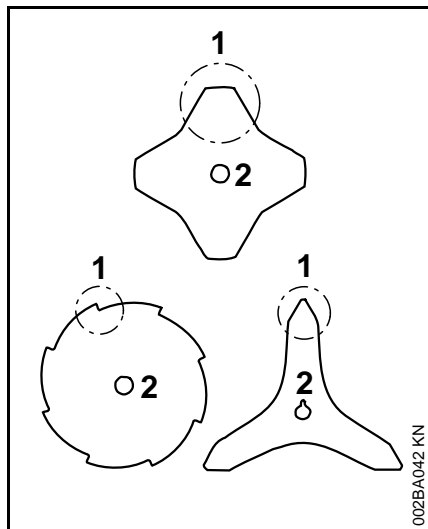
If the spring pops out and uncoils during installation: Refit it in the spring housing in the clockwise direction – start outside and work inward.

- Fit the screws.
- Install the rope rotor as described in "Replacing the Starter Rope".
- Tension the rewind spring.
- Fit the fan housing.

For periods of about 3 months or longer

- Drain and clean the fuel tank in a well ventilated area.
- Dispose fuel properly in accordance with local environmental requirements.
- Run engine until carburetor is dry – this helps prevent carburetor diaphragms sticking together.
- Remove, clean and inspect the cutting tool.
- Thoroughly clean the machine – pay special attention to the cylinder fins and air filter.
- Store the machine in a dry, high or locked location – out of the reach of children and other unauthorized persons.

## Sharpening Metal Cutting Tools



### Grass Cutting Blades, Brush Knife

Use a flat file\* to sharpen dull cutting grass cutting blades.

In case of more serious wear or nicks: Resharpener with a grinder or have work done by STIHL dealer.

### Chisel Tooth Circular Saw Blades

Sharpen as described in the instructions supplied or printed on the inside of the blade's packaging.

### Scratcher Tooth Circular Saw Blades

Use a flat file to file the backs of the teeth until the tips of the teeth are restored to full sharpness.

**⚠** Never attempt to straighten or weld a bent or cracked cutting tool – it might shatter and cause serious or fatal injury.

- Resharpener frequently, take away as little material as possible – two or three strokes of the file are usually enough.

#### To avoid out-of-balance:

- Resharpener the cutters (1) uniformly – do not alter the contour of the parent blade (2) in any way.
- After resharpener about 5 times, have blade checked on STIHL balancer\*.

\* see "Guide to Using this Manual"



## Maintenance Chart

Please note that the following maintenance intervals apply for normal operating conditions. If your daily working time is longer than normal or cutting conditions are difficult (very dusty work area etc.), shorten the specified intervals accordingly.		before starting work	after finishing work or daily	after each refueling stop	weekly	monthly	every 12 months	if problem	if damaged	as required
Complete machine	Visual inspection (condition, leaks)	X		X						
	Clean		X							
Control handle	Check operation	X		X						
Air filter	Clean							X		X
	Replace								X	
Pick up body in fuel tank	Check							X		
	Replace					X			X	X
Fuel tank	Clean					X		X		X
Carburetor	Check idle adjustment	X		X						
	Readjust idle									X
Spark plug	Readjust electrode gap							X		
	Replace after about 100 operating hours									
Cooling inlets	Inspect		X							
	Clean									X
Spark arresting screen* in muffler	Check							X		X
	Have replaced by servicing dealer <sup>1)</sup>								X	
All accessible screws and nuts (not adjusting screws)	Retighten									X
Anti-vibration element	Check	X						X		X
	Have replaced by servicing dealer <sup>1)</sup>								X	

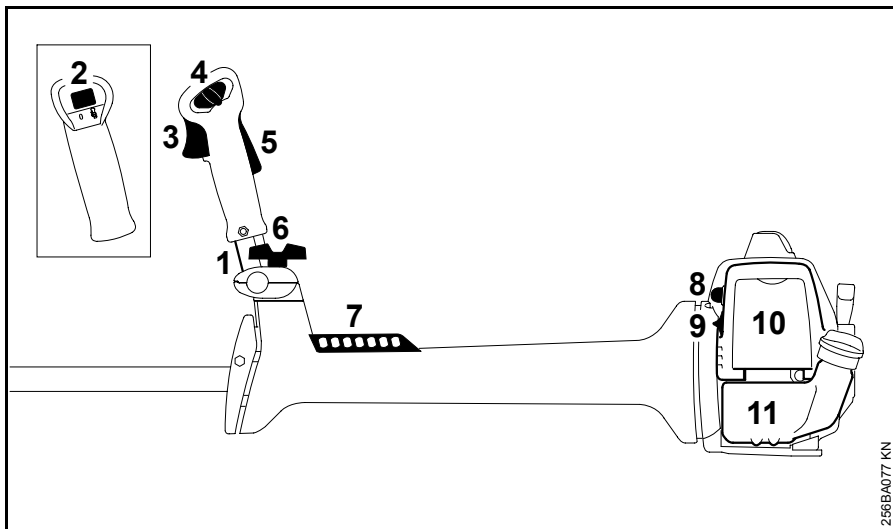
<sup>1)</sup> STIHL recommends that this work be done by a STIHL servicing dealer

\* not in all versions, market-specific

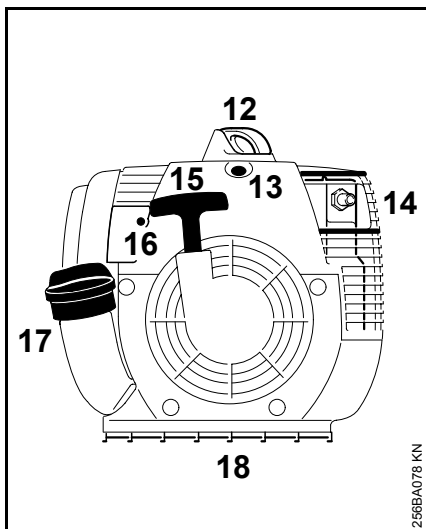
Please note that the following maintenance intervals apply for normal operating conditions. If your daily working time is longer than normal or cutting conditions are difficult (very dusty work area etc.), shorten the specified intervals accordingly.		before starting work	after finishing work or daily	after each refueling stop	weekly	monthly	every 12 months	if problem	if damaged	as required
Cutting tools	Inspect	X		X						
	Replace								X	
	Check tightness	X		X						
Metal cutting tools	Sharpen	X								X
Gearbox lubrication	Check				X					
	Replenish									X
Safety labels	Replace								X	

- 1) STIHL recommends that this work be done by a STIHL servicing dealer

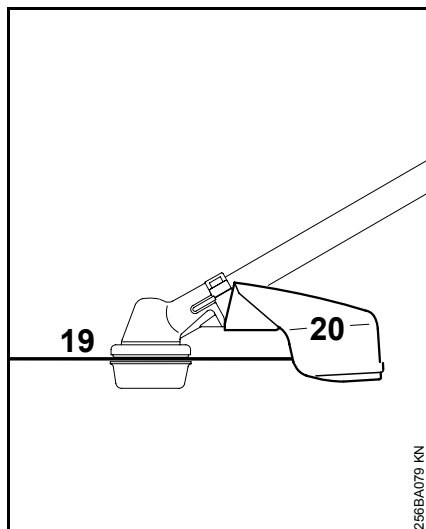
## Parts and Controls



- 1 Handlebar
- 2 Handle heating switch (Special accessory)
- 3 Throttle trigger
- 4 Slide control
- 5 Throttle trigger interlock
- 6 Clamp screws
- 7 Carrying strip
- 8 Fuel pump
- 9 Choke knob
- 10 Filter cover
- 11 Fuel tank



- 12 Spark plug boot
- 13 Decompression valve
- 14 Muffler
- 15 Starter grip
- 16 Carburetor adjusting screws
- 17 Fuel filler cap
- 18 Guard plate



- 19 Cutting tool
- 20 Deflector

## Definitions

- 1. Handlebar**  
For easy control of the machine with both hands during cutting work.
- 2. Handle Heating Switch.**  
For switching the electric handle heating on and off.
- 3. Throttle Trigger**  
Controls the speed of the engine.
- 4. Slide Control**  
For starting throttle, run and stop. Keeps the throttle partially open during starting, switches the engine's ignition off to stop the engine.
- 5. Throttle Trigger Interlock**  
Must be depressed before the throttle trigger can be activated.
- 6. Clamp Screws**  
Locks handlebar in selected position.
- 7. Carrying Strip**  
The device to connect the clearing saw to the harness.
- 8. Fuel Pump**  
Provides additional fuel feed for a cold start.
- 9. Choke Knob**  
Eases engine starting by enriching mixture.
- 10. Filter cover**  
Encloses and protects the air filter.
- 11. Fuel Tank**  
For fuel and oil mixture.
- 12. Spark Plug Boot**  
Connects the spark plug to the ignition lead.
- 13. Decompression Valve**  
To ease starting.
- 14. Muffler**  
Reduces exhaust noises and diverts exhaust gases away from operator.
- 15. Starter Grip**  
The grip of the pull starter, which is the device to start the engine.
- 16. Carburetor Adjusting Screws**  
For tuning the carburetor.
- 17. Fuel Filler Cap**  
For closing the fuel tank.
- 18. Guard plate**  
For resting machine on the ground.
- 19. Cutting Tool**  
The cutting attachment for different purposes.
- 20. Deflector**  
The deflector is designed to reduce the risk of injury from foreign objects flung backwards toward the operator by the cutting tool and from contact with the cutting tool. A skirt at the bottom of the deflector must be adjusted as described in the chapter on "Cutting tools and Deflectors".

## Specifications

### EPA / CEPA:

The Emission Compliance Period referred to on the Emissions Compliance Label indicates the number of operating hours for which the engine has been shown to meet Federal emission requirements.

Category:

- A = 300 hours,
- B = 125 hours,
- C = 50 hours

### CARB:

The Emission Compliance Period used on the CARB-Air Index Label indicates the terms:

- Extended = 300 hours,
- Intermediate = 125 hours,
- Moderate = 50 hours

### Engine

STIHL single cylinder two-stroke engine

### Displacement

- FS 300: 1.88 cu.in (30.8 cm<sup>3</sup>)
- FS 350: 2.45 cu.in (40.2 cm<sup>3</sup>)
- FS 400: 2.45 cu.in (40.2 cm<sup>3</sup>)
- FS 450: 2.70 cu.in (44.3 cm<sup>3</sup>)
- FS 480: 2.96 cu.in (48.7 cm<sup>3</sup>)

### Bore

- FS 300: 1.38 in (35 mm)
- FS 350: 1.57 in (40 mm)
- FS 400: 1.57 in (40 mm)
- FS 450: 1.65 in (42 mm)
- FS 480: 1.73 in (44 mm)

### Stroke

- FS 300, 350, FS 400, 450, 480:  
1.26 in (32 mm)

### Engine power to ISO 8893

- FS 300: 1.3 kW (1.8 bhp)
- FS 350: 1.6 kW (2.2 bhp)
- FS 400: 1.9 kW (2.6 bhp)
- FS 450: 2.1 kW (2.8 bhp)
- FS 480: 2.2 kW (3.0 bhp)

### Max. engine speed

- FS 300, 350: 12 300 rpm
- FS 400, 450, 480: 12 500 rpm

### Idle speed

2 800 rpm

### Max. output shaft speed (cutting tool)

- FS 300, 350, 400, 400 L, 450, 450 L,  
480, 480 L: 8 930 rpm
- FS 400 K, 450 K, 480 K: 8 750 rpm

### Ignition System

#### Type

electronic (breakerless) magneto  
ignition with electronic speed governor

### Spark plug (suppressed)

Bosch WSR 6 F, NGK BPMR 7 A or  
Champion RCJ 6 Y (not all markets)

### Electrode gap

0.02 in (0.5 mm)

### Spark plug thread

M 14x1.25; 0.37 in (9.5 mm) long

### Rewind Starter

#### Starter rope

- FS 300, FS 350:  
0.12 in dia. x 33.5 in (Ø 3.0 x 850 mm)
- FS 400, 450, 480:  
0.12 in dia. x 31.5 in (Ø 3.0 x 800 mm)

### Dimensions

#### Overall length

- without cutting tool
- FS 300, 350, 400, 450, 480:  
69.5 in (1 765 mm)
- FS 400 K, 450 K, 480 K:  
64.4 in (1 635 mm)
- FS 400 L, 450 L, 480 L:  
71.9 in (1 825 mm)

#### Carburetor

All position diaphragm carburetor with  
integral fuel pump

#### Air Filter

Paper filter element

#### Fuel tank capacity

- FS 300, 350: 1.35 US pt (0.64l)
- FS 400, 450, 480: 1.42 US pt (0.67l)

#### Fuel mixture

see chapter "Fuel"

#### Weight

- without cutting tool and deflector
- FS 300, 350: 15.4 lb (7.0 kg)
- FS 400, 450, 480: 17.6 lb (8.0 kg)
- FS 400 K/L, 450 K/L, 480 K/L:  
17.8 lb (8.1 kg)


## Special Accessories

Contact your STIHL dealer for information regarding special accessories that may be available for your product.

## Maintenance and Repairs

Users of this unit should carry out only the maintenance operations described in this manual. Other repair work may be performed only by authorized STIHL service shops.

Warranty claims following repairs can be accepted only if the repair has been performed by an authorized STIHL servicing dealer using original STIHL replacement parts.

Original STIHL parts can be identified by the STIHL part number, the **STIHL** logo and, in some cases, by the STIHL parts symbol . This symbol may appear alone on small parts.

## STIHL Incorporated Federal Emission Control Warranty Statement

### Your Warranty Rights and Obligations

The U.S. Environmental Protection Agency (EPA) and STIHL Incorporated are pleased to explain the Emission Control System Warranty on your equipment type engine. In the U.S. new 1997 and later model year small off-road equipment engines must be designed, built and equipped, at the time of sale, to meet the U.S. EPA regulations for small non road engines. The equipment engine must be free from defects in materials and workmanship which cause it to fail to conform with U.S. EPA standards for the first two years of engine use from the date of sale to the ultimate purchaser.

STIHL Incorporated must warrant the emission control system on your small off-road engine for the period of time listed below provided there has been no abuse, neglect or improper maintenance of your small off-road equipment engine.

Your emission control system includes parts such as the carburetor and the ignition system. Also included may be hoses, and connectors and other emission related assemblies.

Where a warrantable condition exists, STIHL Incorporated will repair your small off-road equipment engine at no cost to you, including diagnosis (if the diagnostic work is performed at an authorized dealer), parts, and labor.

### Manufacturer's Warranty Coverage:

In the U.S., 1997 and later model year small off-road equipment engines are warranted for two years. If any emission-related part on your engine is defective, the part will be repaired or replaced by STIHL Incorporated free of charge.

### Owner's Warranty Responsibilities:

As the small off-road equipment engine owner, you are responsible for the performance of the required maintenance listed in your owner's manual. STIHL Incorporated recommends that you retain all receipts covering maintenance on your small off-road equipment engine, but STIHL Incorporated cannot deny warranty solely for the lack of receipts or for your failure to ensure the performance of all scheduled maintenance.

Any replacement part or service that is equivalent in performance and durability may be used in non-warranty maintenance or repairs, and shall not reduce the warranty obligations of the engine manufacturer.

As the small off-road equipment engine owner, you should be aware, however, that STIHL Incorporated may deny you warranty coverage if your small off-road equipment engine or a part has failed due to abuse, neglect, improper maintenance or unapproved modifications.

You are responsible for presenting your small off-road equipment engine to a STIHL service center as soon as a problem exists. The warranty repairs will be completed in a reasonable amount of time, not to exceed 30 days.

If you have any questions regarding your warranty rights and responsibilities, please contact a STIHL customer service representative at 1-800-467-8445 or you can write to

STIHL Inc.,  
536 Viking Drive, P.O. Box 2015,  
Virginia Beach, VA 23450-2015.

### Coverage by STIHL Incorporated

STIHL Incorporated warrants to the ultimate purchaser and each subsequent purchaser that your small off-road equipment engine will be designed, built and equipped, at the time of sale, to meet all applicable regulations. STIHL Incorporated also warrants to the initial purchaser and each subsequent purchaser that your engine is free from defects in materials and workmanship which cause the engine to fail to conform with applicable regulations for a period of two years.

### Warranty Period

The warranty period will begin on the date the utility equipment engine is purchased by the initial purchaser and you have signed and sent back the warranty card to STIHL.

If any emission related part on your engine is defective, the part will be replaced by STIHL Incorporated at no cost to the owner. Any warranted part which is not scheduled for replacement as required maintenance, or which is scheduled only for regular inspection to the effect of "repair or replace as necessary" will be warranted for the warranty period. Any warranted part which is scheduled for replacement as required maintenance will be warranted for the period of time up to the first scheduled replacement point for that part.

### Diagnosis

You, as the owner, shall not be charged for diagnostic labor which leads to the determination that a warranted part is defective. However, if you claim warranty for a component and the machine is tested as non-defective, STIHL Incorporated will charge you for the cost of the emission test. Mechanical diagnostic work will be performed at an authorized STIHL servicing dealer. Emission test may be performed either at STIHL Incorporated or at any independent test laboratory.

### Warranty Work

STIHL Incorporated shall remedy warranty defects at any authorized STIHL servicing dealer or warranty station. Any such work shall be free of charge to the owner if it is determined that a warranted part is defective.

Any manufacturer-approved or equivalent replacement part may be used for any warranty maintenance or repairs on emission-related parts and must be provided without charge to the owner. STIHL Incorporated is liable for damages to other engine components caused by the failure of a warranted part still under warranty.

The following list specifically defines the emission-related warranted parts:

Carburetor  
Choke (Cold start enrichment system)  
Intake manifold  
Air filter  
Spark plug  
Magneto or electronic ignition system (ignition module)  
Catalytic converter (if applicable)  
Fasteners

### Where to make a claim for Warranty Service

Bring the product to any authorized STIHL servicing dealer and present the signed warranty card.

### Maintenance Requirements

The maintenance instructions in this manual are based on the application of the recommended 2-stroke fuel-oil mixture (see also instruction "Fuel"). Deviations from this recommendation regarding quality and mixing ratio of fuel and oil may require shorter maintenance intervals.

### Limitations

This Emission Control Systems Warranty shall not cover any of the following:

- repair or replacement required because of misuse, neglect or lack of required maintenance,
- repairs improperly performed or replacements not conforming to STIHL Incorporated specifications that adversely affect performance and/or durability, and alterations or modifications not recommended or approved in writing by STIHL Incorporated,

and

- replacement of parts and other services and adjustments necessary for required maintenance at and after the first scheduled replacement point.



## Trademarks

### STIHL Registered Trademarks

STIHL®

**STIHL**®



The color combination orange-grey  
(U.S. Registrations #2,821,860;  
#3,010,057; and #3,010,058)

4-MIX®

AUTOCUT®

EASYSTART®

OILOMATIC®

STIHL Cutquik®

STIHL DUROMATIC®

STIHL Farm Boss®

STIHL Quickstop®

STIHL ROLLOMATIC®

STIHL WOOD BOSS®

TIMBERSPORTS®

YARD BOSS®

### Some of STIHL's Common Law Trademarks



BioPlus™

Easy2Start™

EasySpool™

ElastoStart™

Ematic™ / Stihl-E-Matic™

FixCut™

HT Plus™

IntelliCarb™

Master Control Lever™

Micro™

Pro Mark™

Quad Power™

Quiet Line™

STIHL Arctic™

STIHL Compact™

STIHL HomeScaper Series™

STIHL Interchangeable Attachment Series™

STIHL Magnum™ / Stihl-Magnum™

STIHL MiniBoss™

STIHL MotoPlus 4™

STIHL Multi-Cut HomeScaper Series™

Stihl Outfitters™

STIHL PICCO™

STIHL PolyCut™

STIHL PowerSweep™

STIHL Precision Series™

STIHL Protech™

STIHL RAPID™

STIHL SuperCut™

STIHL Territory™

TapAction™

TrimCut™

This listing of trademarks is subject to change.

Any unauthorized use of these trademarks without the express written consent of ANDREAS STIHL AG & Co. KG, Waiblingen is strictly prohibited.

## Contenido

Guía para el uso de este manual ...	50	Ajuste del carburador .....	80
Medidas de seguridad y técnicas de manejo .....	51	Manejo durante el invierno .....	81
Combinaciones aprobadas de herramienta de corte, deflector, tope y arnés .....	66	Calefactor eléctrico del mango .....	82
Montaje del manillar tipo bicicleta .....	68	Revisión de la bujía .....	82
Ajuste del cable del acelerador .....	69	Funcionamiento del motor .....	83
Montaje de deflectores y tope limitador .....	70	Lubricación de la caja de engranajes .....	84
Montaje de las herramientas de corte .....	71	Sustitución de la cuerda de arranque y resorte de rebobinado .....	84
Combustible .....	74	Almacenamiento de la máquina .....	87
Llenado de combustible .....	75	Afilado de las herramientas de corte metálicas .....	87
Colocación del arnés .....	75	Tabla de mantenimiento .....	88
Equilibrio de la máquina .....	76	Piezas y controles .....	90
Arranque / parada del motor .....	76	Especificaciones .....	92
Instrucciones de manejo .....	78	Accesorios especiales .....	93
Limpieza del filtro de aire .....	79	Mantenimiento y reparaciones .....	93
Limpieza del filtro de aire .....	79	Declaración de garantía de STIHL Incorporated sobre sistemas de control de emisiones según normas Federales .....	94
Manejo del motor .....	80	Marcas comerciales .....	96

Permita que solamente las personas que comprenden la materia tratada en este manual manejen su sierra despejadora. Para obtener el rendimiento y satisfacción máximos de la cortadora de matorrales STIHL, es importante leer y comprender las instrucciones de mantenimiento y las precauciones de seguridad, que empiezan en la página 3, antes de usar la sierra despejadora. Comuníquese con el concesionario o distribuidor de STIHL si no se entiende alguna de las instrucciones dadas en el presente manual.

### Advertencia

Dado que la sierra despejadora es una herramienta de corte motorizada de gran velocidad, es necesario tomar medidas especiales de seguridad para reducir el riesgo de lesiones. El uso descuidado o inadecuado puede causar lesiones graves e incluso mortales. Asegúrese que su máquina esté equipada con el deflector, mango y arnés adecuados para el tipo de accesorio de corte que se está utilizando. Siempre protéjase adecuadamente los ojos. La filosofía de STIHL es mejorar continuamente todos sus productos. Como resultado de ello, periódicamente se introducen cambios de diseño y mejoras. Si las características de funcionamiento o la apariencia de su sierra despejadora difieren de las descritas en este manual, comuníquese con el concesionario STIHL para obtener la información y ayuda que requiera.

# STIHL®

## Guía para el uso de este manual

### Pictogramas

Todos los pictogramas que se encuentran en la máquina se muestran y explican en este manual.

Las instrucciones de uso y manipulación vienen acompañadas de ilustraciones.

### Símbolos en el texto

Los pasos individuales o procedimientos descritos en el manual pueden estar señalados en diferentes maneras:

- Un punto identifica un paso o procedimiento sin referencia directa a una ilustración.


Una descripción de un paso o procedimiento que se refiere directamente a una ilustración puede tener números de referencia que aparecen en la ilustración.


Ejemplo:


Suelte el tornillo (1)


Palanca (2) ...

Además de las instrucciones de uso, en este manual pueden encontrarse párrafos a los que usted debe prestar atención especial. Tales párrafos están marcados con los símbolos que se describen a continuación.

 Advertencia donde existe el riesgo de un accidente o lesiones personales o daños graves a la propiedad.

 Precaución donde existe el riesgo de dañar la máquina o los componentes individuales.

 Nota o sugerencia que no es esencial para el uso de la máquina, pero puede ayudar al operador a comprender mejor la situación y mejorar su manera de manejar la máquina.

 Nota o sugerencia sobre el procedimiento correcto con el fin de evitar dañar el medio ambiente.

### \* Equipo y características

Este manual de instrucciones puede describir varios modelos con diferentes características. Los componentes que no se encuentran instalados en todos los modelos y las aplicaciones correspondientes están marcados con un asterisco (\*). Esos componentes pueden ser ofrecidos como accesorios especiales por el concesionario STIHL.

### Mejoramientos técnicos

La filosofía de STIHL es mejorar continuamente todos sus productos. Como resultado de ello, periódicamente se introducen cambios de diseño y mejoras. Si las características de funcionamiento o la apariencia de su máquina difieren de las descritas en este manual, comuníquese con el concesionario STIHL para obtener la ayuda que requiera.

Por lo tanto, es posible que algunos cambios, modificaciones y mejoramientos no hayan sido descritos en este manual.

## Medidas de seguridad y técnicas de manejo



### Advertencia

Dado que la sierra despejadora es una herramienta de corte motorizada que funciona a gran velocidad, es necesario tomar medidas especiales de seguridad para reducir el riesgo de lesiones.



Es importante que usted lea, comprenda bien y respete las siguientes advertencias y medidas de seguridad. Lea el manual del usuario y las instrucciones de seguridad periódicamente. El uso descuidado o inadecuado de cualquier sierra despejadora puede causar lesiones graves e incluso mortales.

Pida a su concesionario STIHL que le enseñe el manejo de la sierra despejadora. Respete todas las disposiciones, reglamentos y normas de seguridad locales del caso.



### Advertencia

No preste ni alquile nunca su sierra despejadora sin el manual del usuario. Asegúrese que todas las personas que utilicen la sierra despejadora lean y comprendan la información contenida en este manual.



### Advertencia

El uso de cualquier sierra despejadora puede ser peligroso. Si la herramienta de corte giratoria llega a quedar en contacto con su cuerpo, le ocasionará una cortadura. Cuando choca con algún objeto extraño sólido tal como rocas o pedazos de metal, puede arrojarlo directamente o por rebote en dirección de personas que se encuentren en la cercanía o del operador.

El contacto con dichos objetos puede dañar los accesorios de corte y puede hacer que las cuchillas se rompan, astillen o agrieten.

STIHL no recomienda el uso de cuchillas rígidas en zonas pedregosas. Los objetos arrojados o las cuchillas dañadas pueden provocar lesiones graves o mortales al operador o a personas que se encuentren en su proximidad.



### Advertencia

Nunca se debe permitir a los niños que usen una sierra despejadora. No se debe permitir la proximidad de otros, especialmente niños y animales, donde se esté utilizando la sierra despejadora.

Nunca deje la sierra despejadora funcionando sin vigilancia.

La mayoría de las medidas de seguridad y avisos contenidos en este manual se refieren al uso de todas las sierras despejadoras de STIHL. Los distintos modelos pueden contar con piezas y controles diferentes. Vea la sección correspondiente de su manual del usuario para tener una descripción de los controles y la función de cada componente de su modelo de sierra despejadora.

El uso seguro de una sierra despejadora atañe a

1. el operador
2. la sierra despejadora
3. el uso de la sierra despejadora.

## EL OPERADOR

### Condición física

Usted debe estar en buenas condiciones físicas y psíquicas y no encontrarse bajo la influencia de ninguna sustancia (drogas, alcohol, etc.) que le pueda restar visibilidad, destreza o juicio. No maneje la sierra despejadora cuando está fatigado.

Esté alerta. Si se cansa durante el manejo de su sierra despejadora, tómese un descanso. El cansancio puede provocar una pérdida del control. El uso de cualquier sierra despejadora puede ser fatigoso. Si usted padece de alguna dolencia que pueda ser agravada por la fatiga, consulte a su médico antes de utilizar la sierra despejadora.

### **Advertencia**

El uso prolongado de una sierra despejadora (u otras máquinas) expone al operador a vibraciones que pueden provocar el fenómeno de Raynaud (dedos blancos) o el síndrome del túnel del carpio.

Estas condiciones reducen la capacidad manual de sentir y regular la temperatura, producen entumecimiento y ardor y pueden provocar trastornos nerviosos y circulatorios, así como necrosis de los tejidos.

No se conocen todos los factores que contribuyen a la enfermedad de Raynaud, pero el clima frío, el fumar y las enfermedades o condiciones físicas que afectan los vasos sanguíneos y la circulación de la sangre, como asimismo los niveles altos de vibración y períodos prolongados de exposición a la vibración son mencionados como factores en el desarrollo de la enfermedad de Raynaud. Por lo tanto, para reducir el riesgo de la enfermedad de dedos blancos y del síndrome del túnel del carpio, sírvase notar lo siguiente:

- La mayor parte de las herramientas motorizadas de STIHL se ofrecen con un sistema antivibración ("AV") cuyo propósito es reducir la transmisión de las vibraciones creadas por el motor a las manos del operador. Se recomienda el uso del sistema AV a aquellas personas que utilizan herramientas motorizadas en forma constante y regular.
- Use guantes y mantenga las manos abrigadas.
- Mantenga el sistema AV en buen estado. Una sierra despejadora con los componentes flojos o con amortiguadores AV dañados o desgastados también tendrá tendencia a tener niveles más altos de vibración.
- Agarre firmemente los mangos en todo momento, pero no los apriete con fuerza constante y excesiva; tómese descansos frecuentes.

Todas las precauciones antes mencionadas no le garantizan que va a estar totalmente protegido contra la enfermedad de Raynaud o el síndrome del túnel del carpio. Por lo tanto, los operadores constantes y regulares deben revisar con frecuencia el estado de sus manos y dedos. Si aparece alguno de los síntomas arriba mencionados, consulte inmediatamente al médico.

### **Advertencia**

El sistema de encendido de la máquina produce un campo electromagnético de intensidad muy baja. El mismo puede interferir con algunos tipos de marcapasos. Para reducir el riesgo de lesiones graves o mortales, las personas portadoras de marcapasos deben consultar a sus médicos y al fabricante del marcapasos antes de usar esta máquina.

### **Vestimenta adecuada**

#### **Advertencia**

Para reducir el riesgo de lesiones el operador debe usar el equipo protector adecuado. El deflector provisto con su sierra despejadora no siempre protege al operador contra todos los objetos extraños (gravilla, vidrio, alambre, etc.) arrojados por el accesorio de corte giratorio. Los objetos arrojados o lanzados por el accesorio también pueden rebotar y golpear al operador.

 **Advertencia**


Para reducir el riesgo de lesionarse los ojos, nunca maneje la sierra despejadora si no tiene puestas gafas o anteojos de seguridad bien ajustados con una protección adecuada en las partes superior y laterales que satisfagan la norma ANSI Z 87.1 (o la norma nacional correspondiente). Para reducir el riesgo de lesionarse la cara, STIHL recomienda usar también una careta o protector facial adecuado sobre las gafas o anteojos de seguridad.

 **Advertencia**


El ruido de la sierra despejadora puede dañar sus oídos. Siempre use amortiguadores del ruido (tapones u orejeras) para protegerse los oídos. Los usuarios constantes y regulares deben someterse con frecuencia a un examen o control auditivo.



Protéjase las manos con guantes cuando manipule la sierra despejadora y la herramienta de corte. Los guantes gruesos y antideslizantes mejoran el manejo y protegen las manos.



La ropa debe ser de confección fuerte y ajustada, pero no tanto que impida la completa libertad de movimiento. Evite el uso de chaquetas sueltas, bufandas, corbatas, joyas, pantalones acampanados o con vueltas, pelo largo suelto o cualquier cosa que pueda engancharse en las ramas, matorrales o piezas en movimiento de la máquina. Use pantalones largos hechos de un material grueso para protegerse las piernas. No use pantalones cortos, sandalias o pies descalzos. Sujétese el pelo de modo que quede sobre los hombros.



Una buena base de apoyo es indispensable cuando se maneja la sierra despejadora. Póngase botas gruesas con suela antideslizante. Recomendamos las botas de seguridad con puntera de acero.



Utilice un casco de seguridad aprobado para reducir el riesgo de lesionarse la cabeza en caso de existir tal tipo de peligro.

## LA SIERRA DESPEJADORA

Para las ilustraciones y definiciones de los componentes de la sierra despejadora, vea el capítulo sobre "Piezas y controles".

 **Advertencia**

Nunca modifique, de ninguna manera, una sierra despejadora. Utilice únicamente los accesorios y repuestos suministrados por STIHL o expresamente autorizados por STIHL para usarse con los modelos específicos de sierras despejadoras de STIHL. Si bien es posible conectar a la sierra despejadora de STIHL ciertos accesorios no autorizados, su uso puede ser, en la práctica, extremadamente peligroso.

## USO DE LA SIERRA DESPEJADORA

### Transporte de la sierra despejadora

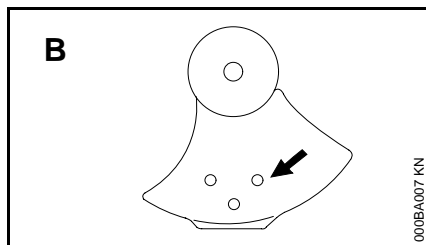
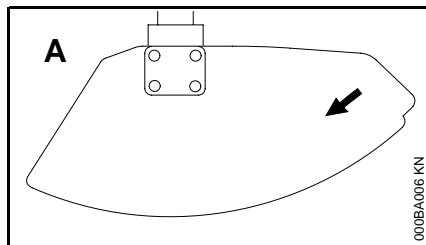
#### Advertencia

Antes de apoyar la sierra despejadora en el suelo, apague el motor y asegúrese de que el accesorio de corte ha dejado de girar. Cuando transporte la sierra despejadora en un vehículo, sujétela firmemente para impedir su vuelco, el derrame de combustible y el daño a la máquina. Mantenga las herramientas de corte metálicas cubiertas con el protector para el transporte (accesorio opcional).

### Preparación para el uso de la sierra despejadora

Ajuste el arnés y la empuñadura de modo correspondiente a su estatura antes de empezar a trabajar. La máquina debe estar correctamente equilibrada de la forma especificada en el manual del usuario para un control correcto y menos fatiga de trabajo.

Compruebe siempre la condición y funcionamiento de su sierra despejadora antes de ponerla en marcha, especialmente el gatillo de aceleración, el bloqueo del gatillo de aceleración (si lo tiene), el interruptor de parada, la herramienta de corte, el deflector y el arnés.



Las flechas **(A)** en el deflector y el tope **(B)** muestran el sentido correcto de rotación de la herramienta de corte.

El gatillo de aceleración debe moverse libremente y siempre debe retornar a la posición de ralentí por la acción de resorte. La herramienta de corte debe estar correctamente apretada y en buenas condiciones de trabajo. Busque piezas sueltas (tuercas, tornillos, etc.) y cuchillas agrietadas, dobladas, deformadas o dañadas.

### Llenado de combustible

La sierra despejadora de STIHL utiliza una mezcla de aceite-gasolina como combustible (vea el capítulo "Combustible" en el manual del usuario).

#### Advertencia



La gasolina es un combustible muy inflamable. Si se derrama y arde a causa de una chispa u otra fuente de ignición, puede provocar un incendio y quemaduras graves o daños a la propiedad. Tenga sumo cuidado cuando manipule gasolina o la mezcla de combustible.

No fume cerca del combustible o la sierra despejadora, ni acerque ningún fuego o llama a ellos.

No fume cerca del combustible o la sierra despejadora, ni acerque ningún fuego o llama a ellos.

### Instrucciones para el llenado de combustible

#### Advertencia

Cargue de combustible su sierra despejadora en lugares al aire libre bien ventilados. Siempre apague el motor y deje que se enfríe antes de llenar de combustible. Dependiendo del combustible utilizado, de las condiciones climáticas y del sistema de ventilación del tanque, es posible que se forme vapor de gasolina a presión dentro del tanque de combustible.

Para reducir el riesgo de quemaduras, así como otras lesiones corporales ocasionadas por los escapes de vapor de gasolina y otras emanaciones, quite la tapa de llenado de combustible de la sierra despejadora cuidadosamente de modo que la presión que se pueda haber acumulado en el tanque se disipe lentamente. Nunca quite la tapa de llenado de combustible mientras el motor está funcionando.

Elija una superficie despejada para llenar el tanque y aléjese 3 m (10 pies) por lo menos del lugar en que lo haya llenado antes de arrancar el motor. Limpie los derrames de combustible antes de arrancar la sierra despejadora y compruebe que no existen fugas.

### Advertencia

Compruebe que no existen fugas de combustible mientras llena el tanque y durante el funcionamiento de la máquina. Si detecta alguna fuga de combustible o aceite, no arranque el motor ni lo haga funcionar sin antes reparar la fuga y limpiar el combustible derramado. Tenga cuidado de no mancharse la ropa con combustible. En tal caso, cámbiese la ropa inmediatamente.

El tipo de tapa de llenado difiere con los distintos modelos.

### Tapa con empuñadura

#### Advertencia

Para reducir el riesgo de derramar combustible y provocar un incendio debido a una tapa de combustible mal apretada, coloque la tapa en la posición correcta y apriétela en la boca de llenado del tanque.



Para hacer esto con esta tapa STIHL, levante la empuñadura en la parte superior de la tapa hasta dejarla vertical a un ángulo de 90°. Inserte la

tapa en la boca de llenado del tanque, alineando las marcas triangulares en la empuñadura de la tapa y en la boca del tanque. Utilizando la empuñadura, gire la tapa firmemente en sentido horario hasta donde tope (aprox. un cuarto de vuelta).



Doble la empuñadura dejándola a ras con la parte superior de la tapa. Si no queda totalmente a ras y el tope en la empuñadura no encaja en el

huevo correspondiente en el cuello de llenado, la tapa está mal asentada y apretada, se deberán repetir los pasos anteriores.

### Tapa roscada

#### Advertencia



Las vibraciones de la máquina pueden aflojar una tapa de combustible que ha quedado mal apretada, o simplemente soltarla y derramar com-

combustible. Para reducir el riesgo de derrames e incendio, apriete la tapa de llenado de combustible a mano con la mayor fuerza posible.

### Instrucciones de manejo

#### Advertencia



El uso indebido de cualquier sierra despejadora puede causar lesiones graves o

mortales. Para reducir el riesgo de sufrir lesiones corporales debido a la pérdida de control y/o al contacto con la cuchilla y objetos arrojados, asegúrese que su máquina está equipada con el deflector, mango y arnés correctos para el tipo de accesorio de corte que está usando (vea el capítulo Combinaciones aprobadas de la herramienta de corte, deflector, mango y arnés).



Mantenga siempre el deflector (y la faldilla en su caso) bien ajustado (vea en su manual del usuario el capítulo sobre montaje de las diversas herramientas de corte).

### Arranque

#### Advertencia

Su sierra despejadora es una máquina que debe ser manejada por solamente una persona. Una vez que está funcionando, puede arrojar objetos extraños a gran distancia.



Para reducir el riesgo de ocasionar lesiones a los ojos u otras partes del cuerpo, asegúrese que las personas estén a por lo menos 15 m (50 pies) de distancia de la máquina. Se debe aconsejar a las personas que se encuentran cerca de la máquina que usen protección de los ojos. Apague el motor y la herramienta de corte inmediatamente si se le aproxima alguna persona. Ponga en marcha y maneje su sierra despejadora sin ayuda de nadie. Para las instrucciones específicas de arranque, vea la sección correspondiente en el manual del usuario. Coloque la sierra despejadora sobre suelo firme u otra superficie sólida en un lugar abierto. Mantenga buen equilibrio con los pies bien apoyados.

#### Advertencia

Para reducir el riesgo de lesiones debido a la pérdida de control, esté absolutamente seguro que la herramienta de corte se encuentra lejos de su cuerpo y de todas las obstrucciones y objetos, incluido el suelo, porque al arrancar el motor acelerado, su velocidad será lo suficientemente rápida para que el embrague se engrane y haga girar la herramienta de corte.

#### Advertencia

Cuando tire del mango de arranque, no enrolle la cuerda de arranque alrededor de la mano. No deje que el mango retroceda bruscamente, sino guíe la cuerda de arranque para que se enrolle debidamente. Si no ejecuta este procedimiento puede lastimarse la mano o los dedos y también dañar el mecanismo de arranque.

Con el motor funcionando pero a velocidad de ralentí, enganche la sierra despejadora al gancho de resorte de su arnés (vea el capítulo correspondiente en este manual).

### Convertidor catalítico

#### Advertencia



Algunos modelos de sierras despejadoras STIHL están equipados con un convertidor catalítico, el que está diseñado para reducir las emisiones de

escape del motor mediante un proceso químico en el silenciador. Debido a este proceso, el silenciador no se enfría tan rápidamente como los del tipo convencional cuando el motor regresa a ralentí o es apagado. Para reducir el riesgo de incendio y de lesiones por quemadura, es necesario respetar las siguientes medidas de seguridad específicas.

#### Advertencia

Como un silenciador con convertidor catalítico se enfría más lentamente que los silenciadores convencionales, apoye siempre su sierra despejadora en posición vertical y no la coloque nunca donde el silenciador quede cerca de material seco como por ejemplo matorrales, pasto o virutas de madera, o sobre otros materiales combustibles mientras todavía está caliente.

Deje que el motor se enfríe apoyado sobre una superficie de hormigón, metal, suelo raso o madera maciza (por ej., el tronco de un árbol caído) lejos de cualquier sustancia combustible.

### **Advertencia**

Para reducir el riesgo de incendio o lesiones por quemadura, deje que la máquina se enfríe antes de reabastecer de combustible la sierra despejadora después de usarla.

### **Advertencia**

Nunca desarme ni modifique el silenciador. El silenciador podría dañarse y causar el aumento de la radiación de calor o chispas, aumentando así el riesgo de incendio o lesiones por quemadura. Además, se podría dañar permanentemente el motor. Haga reparar el silenciador únicamente por el concesionario de servicio STIHL.

### **Advertencia**

Para reducir el riesgo de incendio o lesiones por quemadura, mantenga limpia la zona alrededor del silenciador. Quite toda la basura tal como las agujas de pinos, ramas u hojas.

### **Advertencia**

Una caja de cilindro dañada o mal instalada, o una envuelta del silenciador dañada o deformada, puede perjudicar el efecto de enfriamiento del convertidor catalítico. Para reducir el riesgo de incendio o lesiones por quemadura, no continúe trabajando con una caja de cilindro dañada o mal instalada, o una envuelta del silenciador dañada o deformada. El convertidor catalítico está dotado de rejillas diseñadas para reducir el riesgo de incendio debido a la emisión de partículas calientes. Debido al calor de la reacción catalítica, estas rejillas normalmente permanecen limpias y no necesitan servicio o mantenimiento. Si el rendimiento de su máquina comienza a disminuir y sospecha que las rejillas están obstruidas, haga reparar el silenciador por un concesionario de servicio STIHL.

## **Condiciones de trabajo**

Maneje y arranque su sierra despejadora solamente al aire libre en un lugar bien ventilado.

Maneje la sierra despejadora solamente en condiciones de buena visibilidad y a la luz del día. Trabaje con mucho cuidado.

### **Advertencia**



Su sierra despejadora emite gases de escape tóxicos apenas el motor empieza a funcionar. Estos gases (por ej., monóxido de carbono)

pueden ser incoloros e inodoros. Para reducir el riesgo de sufrir lesiones graves o mortales por respirar gases tóxicos, nunca haga funcionar la sierra despejadora puertas adentro o en lugares mal ventilados.

### **Advertencia**

El uso de este producto puede generar polvo y vapores que contienen productos químicos considerados como causantes de enfermedades respiratorias, cáncer, defectos de nacimiento u otra toxicidad reproductora. Si usted desconoce los riesgos asociados con el polvo o vapor en cuestión, consulte con su empleador, autoridades gubernamentales tales como OSHA y NIOSH y otras fuentes de información sobre materiales peligrosos.

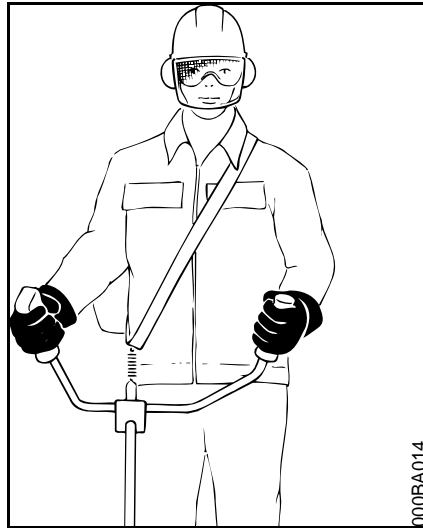
Por ejemplo, el estado de California y algunas otras autoridades han publicado varias listas de sustancias carcinógenas, de toxicidad reproductora, etc.

Siempre que sea posible, controle el polvo y los vapores en su punto de origen. Al respecto, emplee buenas prácticas de trabajo y siga las recomendaciones de OSHA/NIOSH y asociaciones laborales y comerciales. Cuando sea imposible eliminar la inhalación del polvo o vapores tóxicos, el operador y las personas que se encuentren en la cercanía siempre deberán usar un respirador aprobado por NIOSH/MSHA para el tipo de polvo y/o vapores presentes en el lugar.

#### **Advertencia**

El silenciador y otros componentes del motor (por ej., aletas del cilindro, bujía) se calientan durante el funcionamiento y permanecen calientes por un buen rato después de apagar el motor. Para reducir el riesgo de quemaduras, no toque el silenciador y otros componentes mientras están calientes.

No corte ningún tipo de material que no sea pasto, matorrales y madera. Las herramientas de corte pueden usarse solamente para las operaciones descritas en su manual.



Siempre sujete la sierra despejadora firmemente con ambas manos. Envuelva los dedos firmemente en los mangos, manteniéndolos sujetos entre los dedos índice y pulgar. Mantenga las manos en esta posición, para que siempre tenga la sierra despejadora bien controlada. Asegúrese que los mangos de la sierra despejadora y el mango de arranque están en buenas condiciones y sin humedad, resina, aceite o grasa.

#### **Advertencia**

Nunca intente manejar la sierra despejadora con una sola mano. La pérdida de control de la sierra despejadora puede ocasionar lesiones graves o mortales.

#### **Advertencia**

No trate de alcanzar más lejos de lo debido. Mantenga los pies bien apoyados y equilibrados en todo momento. Se debe tener cuidado especial cuando las condiciones del suelo son resbaladizas (suelo húmedo, nieve) y en terreno difícil y con mucha vegetación. Para evitar tropezarse, esté atento a los obstáculos ocultos tales como tocones, raíces y zanjas. Sea precavido cuando trabaje en declives o terreno irregular.

**⚠ Advertencia**

Antes de cortar, inspeccione el área en busca de piedras, vidrio, pedazos de metal, basura u otros objetos sólidos. El accesorio de corte puede arrojar los objetos de esta clase.

**⚠ Advertencia**

Cuando utilice cuchillas rígidas, evite cortar cerca de vallas, edificios, tocones, piedras u otros objetos de ese tipo que puedan causar contragolpe de la sierra despejadora o daños a la cuchilla. Para ese tipo de trabajo, STIHL recomienda el uso de cabezas con hilo de nilón o una cabeza PolyCut. Además, tenga en cuenta que en estos casos aumenta la posibilidad de que ocurran rebotes.

**⚠ Advertencia**

La sierra despejadora normalmente se usa a nivel del suelo con el accesorio de corte paralelo al suelo. El uso de la sierra despejadora sobre el nivel del suelo o con el accesorio de corte perpendicular al suelo puede incrementar el riesgo de lesiones, dado que el accesorio de corte queda casi totalmente expuesto y la sierra despejadora es más difícil de controlar. No use nunca la sierra despejadora para recortar setos.

No la maneje usando el bloqueo de acelerador de arranque, pues no tendrá control de la velocidad del motor. Vea la sección en su manual del usuario sobre el uso correcto del control deslizante.

Si la herramienta de corte o el deflector se atasca o queda pegado, siempre apague el motor y asegúrese que la herramienta de corte está detenida antes de limpiarla. Limpie el pasto, las malezas, etc. de la herramienta de corte en intervalos regulares.

**⚠ Advertencia**

Durante el corte, revise el apriete y la condición de la herramienta de corte en intervalos regulares. Si nota un cambio en el comportamiento de la herramienta, apague el motor inmediatamente, y revise el apriete de la tuerca que sujeta la herramienta y busque si hay grietas y daños en la herramienta de corte. Cambie inmediatamente las herramientas de corte que presenten grietas, torceduras, combadura, daños o que no tengan filo. Las herramientas en esas condiciones pueden romperse a alta velocidad y causar lesiones graves o mortales.

**⚠ Advertencia**

Una cuchilla suelta puede vibrar, agrietarse, romperse o salirse de la sierra despejadora, lo que puede provocar lesiones graves o mortales. Asegúrese de que la cuchilla esté correctamente apretada. Utilice la llave suministrada o cualquier otra que tenga el largo adecuado para obtener el par de apriete adecuado. Si la cuchilla se suelta después de haberla apretado correctamente, deje de manejar la máquina inmediatamente. La tuerca de retención puede estar desgastada o dañada y debe ser sustituida. No utilice nunca piezas no autorizadas para sujetar la cuchilla. Si la cuchilla continúa floja, consulte al concesionario STIHL. No use nunca una sierra despejadora con una cuchilla suelta.

No instale ninguna cuchilla a una máquina sin que todas las piezas requeridas estén correctamente instaladas. No utilice nunca piezas no autorizadas para sujetar la cuchilla. Si no se utilizan las piezas debidas se puede causar el desprendimiento de la cuchilla y lesionar gravemente al operador o a las personas que encuentren en su proximidad.

 **Advertencia**



Mantenga las manos y los pies lejos de la herramienta de corte. No toque nunca con las manos o cualquier parte del cuerpo una herramienta de corte que está girando. La herramienta sigue girando por un rato después que se suelta el gatillo de aceleración (efecto de volante).

**Ajustes importantes**

 **Advertencia**

Para reducir el riesgo de lesiones personales debido a la pérdida de control o al contacto con la herramienta de corte en movimiento, no use una herramienta cuyo ralentí está mal regulado. Cuando el ralentí está correctamente regulado, la herramienta de corte no debe girar. Para instrucciones de ajuste del ralentí, vea la sección correspondiente en el manual del usuario.

Si no puede regular correctamente el ralentí, pida a su concesionario STIHL que revise la sierra despejadora y haga los ajustes o reparaciones correspondientes.

**MANTENIMIENTO, REPARACION Y ALMACENAMIENTO**

**Los trabajos de mantenimiento, reemplazo o reparación de los dispositivos y sistemas de control de emisiones de escape pueden ser realizados por cualquier taller o técnico de motores no diseñados para vehículos. Sin embargo, si usted está reclamando cobertura de garantía para algún componente que no ha sido reparado o mantenido debidamente, o cuando se utilizan repuestos no autorizados, STIHL puede denegar la garantía.**

 **Advertencia**

Utilice solamente piezas de repuesto de STIHL para el mantenimiento y reparación. El uso de piezas no fabricadas por STIHL puede causar lesiones graves o mortales.

Siga las instrucciones de mantenimiento y reparación dadas en la sección correspondiente del manual del usuario. Consulte la tabla de mantenimiento en las últimas páginas de este manual.

 **Advertencia**

Siempre apague el motor y asegúrese que la herramienta de corte está detenida antes de hacer cualquier trabajo de mantenimiento, reparación o limpieza de la sierra despejadora. No intente hacer ningún trabajo de mantenimiento o reparación que no esté descrito en su manual del usuario. Este tipo de trabajo debe realizarse únicamente en el taller de servicio de STIHL.

Use guantes para manipular o reparar la cuchilla.

 **Advertencia**

Nunca repare los accesorios de corte dañados aplicándoles soldadura, enderezándolos o modificándoles su forma. Esto puede causar el desprendimiento de alguna pieza de la herramienta de corte y producir lesiones graves o mortales.

 **Advertencia**

Para reducir el riesgo de incendio y de quemaduras, revise si hay fugas en la tapa de llenado de combustible en intervalos regulares. Use la bujía especificada y asegúrese de que ella y el cable de encendido están limpios y en buen estado. Siempre inserte el casquillo de la bujía bien apretado en el borne de la bujía del tamaño adecuado. (Nota: Si el casquillo tiene una tuerca adaptadora SAE desmontable, tiene que ser instalada.) Una conexión suelta entre el casquillo de la bujía y el conector del cable de encendido en el casquillo puede crear un arco voltaico y encender los vapores del combustible, provocando un incendio.

### ⚠ Advertencia

No pruebe nunca el sistema de encendido con el casquillo del cable de encendido desconectado de la bujía, o sin tener bien instalada la bujía, ya que las chispas al descubierto pueden causar un incendio.

### ⚠ Advertencia

No maneje nunca su sierra despejadora si el silenciador está dañado, se ha perdido o si fue modificado. Un silenciador mal cuidado aumenta el riesgo de incendio y puede causar pérdida del oído. No toque nunca un silenciador caliente, puede quemarse. Si el silenciador está equipado con un chispero para reducir el riesgo de incendio (por ejemplo, en EE.UU., Canadá y Australia), no maneje nunca la sierra despejadora si le falta el chispero o si el mismo está dañado. No modifique ni retire ninguna pieza del silenciador o chispero. Recuerde que el riesgo de incendios forestales es mayor durante las estaciones calurosas y secas.

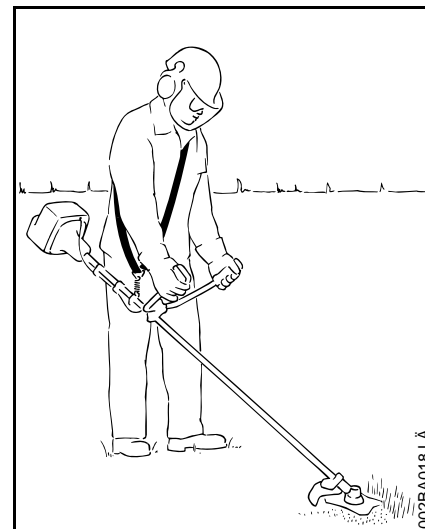
Mantenga la herramienta de corte bien afilada. Apriete todas las tuercas, pernos y tornillos, excepto los tornillos de ajuste del carburador, después de cada uso.

Además, es imprescindible seguir el programa de mantenimiento diario indicado en el manual del usuario de la sierra despejadora STIHL.

Para todo trabajo de mantenimiento, sírvase consultar la tabla de mantenimiento y **la declaración de garantía** que se encuentra al final de este manual.

Guarde la sierra despejadora en un lugar seco, elevado o con llave, fuera del alcance de los niños.

Antes de guardar la máquina durante un período de más de algunos días, siempre vacíe el tanque de combustible. Consulte el capítulo "Almacenamiento de la máquina".

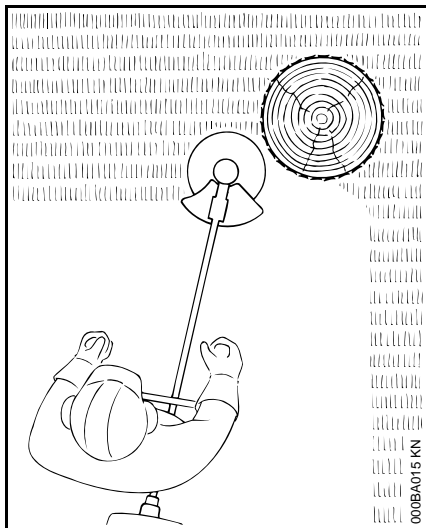


## USO DE LAS HERRAMIENTAS DE CORTE

Para una ilustración de las diversas herramientas de corte y las instrucciones sobre el montaje correcto, vea el capítulo sobre "montaje de las herramientas de corte" en su manual del propietario.

### Uso de las cabezas segadoras

No use un hilo de segado más largo que el diámetro indicado. Con un protector debidamente instalado, la cortadora integral automáticamente ajusta el hilo al largo adecuado. Los hilos excesivamente largos pueden sobrecargar al motor, dañando el mecanismo del embrague y las piezas relacionadas.



Un embrague dañado puede hacer que un accesorio de corte gire con el motor a ralentí y aumentar el riesgo de lesiones personales causadas por la pérdida de control y por el contacto con la herramienta de corte.

Las cabezas segadoras SuperCut, TrimCut, AutoCut y PolyCut de STIHL producen una terminación limpia y ordenada.

Se usan solamente en las cortadoras de matorrales equipadas con una cuchilla limitadora en el deflector para poder mantener el hilo al largo correcto (vea el capítulo "Piezas y controles" en este manual).

Si las orillas del césped tienen árboles o están bordeadas por un cerco, etc., es mejor usar el cabezal de hilo de nilón. Este hilo deja un corte más "suave" con menos riesgo de dañar la corteza de los árboles, etc., que si se usan cuchillas de polímero.

Sin embargo, las cabezas "PolyCut" de STIHL con cuchilla de polímero producen un mejor corte si no hay plantas a lo largo de la orilla del césped. No es necesario afilar y las cuchillas de cortar pasto desgastadas se pueden cambiar fácilmente.

#### **⚠ Advertencia**

Para reducir el riesgo de lesiones graves, nunca use un hilo de alambre o reforzado con metal ni ningún otro material en lugar de los hilos de corte de nilón. Es posible que unos pedazos de alambre sean desprendidos y arrojados a gran velocidad contra el operador o terceros.

#### **Cabeza segadora "SuperCut" de STIHL**

El hilo se avanza automáticamente. Los hilos deshilachados se reemplazan con un ajuste sencillo (consulte la hoja de instrucciones provista con la cabeza segadora).

#### **Cabeza segadora "TrimCut" de STIHL**

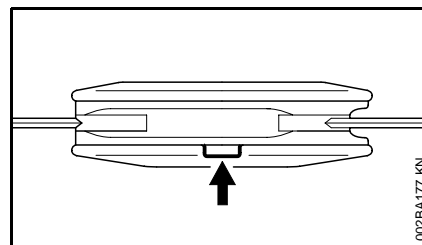
Los hilos deshilachados se reemplazan con un ajuste sencillo (consulte la hoja de instrucciones provista con la cabeza segadora).

#### **Cabeza segadora "AutoCut" de STIHL**

El hilo de corte de nilón avanza automáticamente cuando se le golpea contra el suelo.

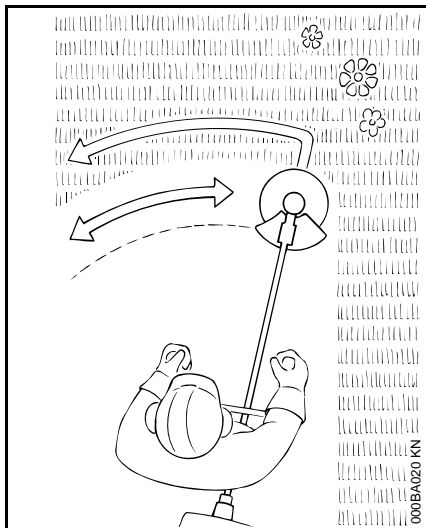
#### **Cabeza segadora "PolyCut" de STIHL**

Utiliza hilos de nilón o cuchillas de plástico no rígidas.



#### **Importante**

En la base (periferia) de la PolyCut hay tres marcas rectangulares de límite de desgaste. Para reducir el riesgo de lesiones graves causadas por la rotura de la cabeza o de las cuchillas, la PolyCut no debe ser utilizada cuando se ha desgastado hasta una de estas marcas. ¡Es importante seguir las instrucciones para el mantenimiento suministradas con la cabeza segadora!



### Uso de la cuchilla de cortar pasto

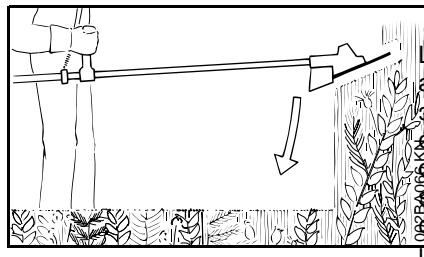
Todos los tipos de pasto y malezas se pueden cortar fácilmente con la cuchilla de cortar pasto. Para ello, la sierra despejadora se mueve en forma de arco, como si fuera una guadaña.

#### ⚠ Advertencia

Para reducir el riesgo de lesiones graves o mortales, no intente nunca cortar madera con esta cuchilla.

La función de la cuchilla de **4 dientes** es la de cortar pasto y malezas. Tiene 4 cuchillos con filo en los dos lados, esto es, en las partes delantera y trasera.

Recomendamos la cuchilla de **8 dientes** de cortar pasto para los casos en que haya que cortar helechos o cañas.



chillas deben ser afiladas al desgastarse sus filos o bordes cortantes.

### Uso de la cuchilla para matorrales

Cuando se instala la cuchilla para matorrales en la sierra despejadora, es adecuada para cortar desde pasto apelmonado hasta malezas, plantas silvestres y arbustos.

Para cortar plantas y arbustos silvestres, baje la cuchilla giratoria para matorrales hasta la planta para crear un efecto de picado. Utilice la sierra despejadora como una guadaña para cortar pasto, es decir, haga pasadas en uno y otro sentido, describiendo un arco.

#### ⚠ Advertencia

Al cortar materiales parecidos a madera, utilice el lado izquierdo de la cuchilla para evitar la "expulsión" (disparo de la cuchilla).

#### ⚠ Advertencia

El uso incorrecto de una cuchilla para matorrales puede causar agrietaciones, picaduras o roturas.

Las piezas lanzadas pueden causar lesiones graves al operador o a terceros. Para reducir el riesgo de lesiones personales, es esencial tomar las precauciones siguientes:

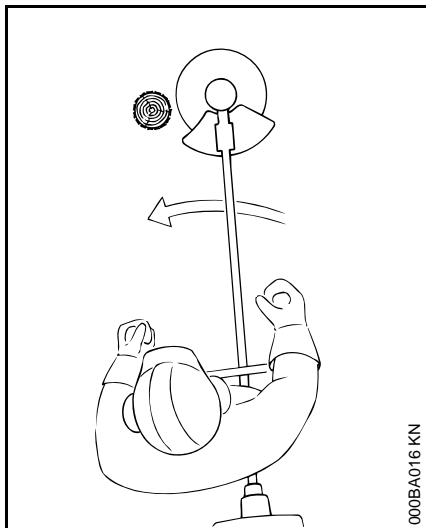
Evite el contacto con objetos duros o macizos tales como piedras, rocas u objetos metálicos.

Nunca corte madera o arbustos cuyo diámetro sea de más de **2 cm (3/4 pulg)** - utilice una sierra circular para tales trabajos. Inspeccione la cuchilla para matorrales a intervalos periódicos y cortos en busca de daños. No continúe trabajando con una cuchilla para matorrales que esté dañada. Afile la cuchilla para matorrales periódicamente (cuando ha perdido su filo de modo apreciable).

#### ⚠ Advertencia

Al cortar tallos jóvenes y otros materiales de hasta **2 cm (3/4 pulg)** de diámetro, utilice el lado izquierdo de la cuchilla para evitar que la "expulsión" de la misma (consulte la sección correspondiente de este manual). No intente cortar materiales parecidos a la madera cuyo diámetro sea mayor, puesto que la cuchilla puede atorarse o tirar de la sierra despejadora repentinamente hacia adelante. Esto puede dañar la cuchilla o la sierra despejadora, o causar la pérdida de control de la misma, lo cual puede causar lesiones personales.





### Uso de la sierra circular

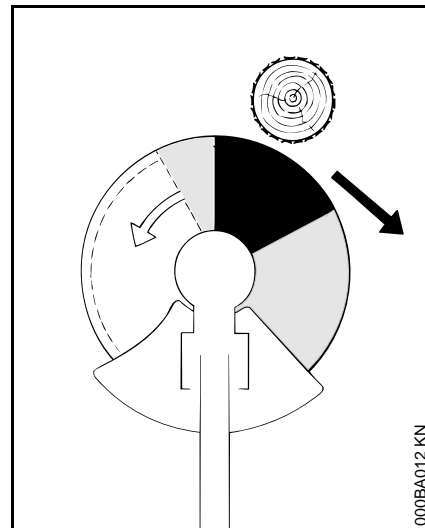
Las sierras circulares son adecuadas para recortar matorrales y cortar árboles pequeños de hasta **4 cm (1 9/16 pulg)** de diámetro. No intente cortar árboles cuyo diámetro sea mayor, puesto que la cuchilla puede atorarse o tirar de la sierra despejadora repentinamente hacia adelante. Esto puede dañar la cuchilla o causar la pérdida de control de la sierra despejadora, lo cual puede causar lesiones personales graves.

Cuando se usa la sierra despejadora con la sierra circular, STIHL recomienda el retiro del deflector estándar y la instalación del "tope" especial (ver el capítulo "Cuchilla para sierra circular" para la instrucciones de montaje). Este tope ayuda a mantener la sierra despejadora en su posición contra el árbol durante el proceso de corte. Los usuarios con poca experiencia deben colocar el lado izquierdo del tope contra el tronco del árbol antes de iniciar el corte. Esto mantiene la sierra despejadora contra el árbol durante la operación de corte y reduce el riesgo de pérdida de control y posible expulsión (descrito en la sección siguiente).

#### **Advertencia**

Para reducir el riesgo de lesiones causadas por los objetos lanzados o por el contacto con la herramienta de corte, cerciórese de volver a instalar el deflector normal para los demás usos de la máquina.

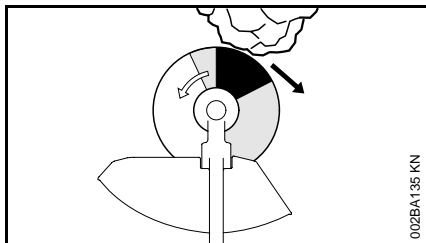
Antes de iniciar el corte, acelere el motor a su velocidad máxima. Efectúe el corte aplicando presión uniforme. STIHL recomienda aplicar la sierra circular por el lado derecho del árbol, usando la zona no sombreada de la cuchilla.



#### **Advertencia**

El riesgo de expulsión de la cuchilla es mayor cuando se corta en la zona sombreada oscura. Para reducir el riesgo de expulsión y las lesiones consecuentes, no utilice esta zona de la sierra circular para cortar árboles ni arbustos. Las técnicas especiales que utilizan las zonas sombreadas más claras de la cuchilla para cortar arbustos y árboles sólo deben ser usadas por operadores expertos con capacitación especializada en cuanto al uso y control de la sierra despejadora.

### Riesgo de expulsión (disparo de la cuchilla) con todas las cuchillas rígidas



#### **⚠ Advertencia**

La expulsión (disparo de la cuchilla) es el movimiento repentino y no controlado hacia el lado derecho o posterior del operador que puede suceder cuando la zona sombreada de la cuchilla giratoria entra en contacto con un objeto sólido, como un árbol, una roca, un matorral o una pared. La rápida rotación en sentido contrahorario puede ser detenida o aminorada y el accesorio puede salir despedido hacia la derecha o detrás.

Esta expulsión (disparo de la cuchilla) puede ocasionar la pérdida de control de la sierra despejadora y provocar lesiones graves o mortales al usuario o a las personas que se encuentran en su proximidad. Para reducir el riesgo, es necesario extremar las precauciones a la hora de cortar con la zona sombreada de cualquier cuchilla rígida.

## Combinaciones aprobadas de herramienta de corte, deflector, tope y arnés

### Herramientas de corte

#### Cabezas segadoras

- 1 STIHL SuperCut 40-2
- 2 STIHL AutoCut 40-2
- 3 STIHL AutoCut 40-4 <sup>1)</sup>
- 4 STIHL TrimCut 40-2
- 5 STIHL PolyCut 40-3

#### Herramientas segadoras metálicas

- 6 Cuchilla para pasto 230-4
- 7 Cuchilla para pasto 255-8
- 8 Cuchilla para matorrales 300-3

#### Sierras circulares

- 9 Dientes de cincel sierra circular 200
- 10 Dientes raspadores sierra circular 200
- 11 Dientes de cincel sierra circular 225 <sup>2)</sup>
- 12 Dientes raspadores sierra circular 225 <sup>2)</sup>

1) para FS 450, 450 K, 450 L, 480, 480 K, 480 L solamente

2) para FS 400, 400 K, 400 L, 450, 450 K, 450 L, 480, 480 K, 480 L solamente

### Deflectores

- 13 Deflector para cabezas segadoras 1 a 5
- 14 Deflector **con** faldilla y cuchilla para las cabezas segadoras 1 a 5
- 15 Deflector **sin** faldilla y cuchilla para las herramientas segadoras 6 a 8

### Topes limitadores

- 16 Tope limitador para sierras circulares 200
- 17 Tope limitador para sierras circulares 225

### Arneses

- 18 Arnés completo
- 19 Arnés completo de lujo


### Equipo


Entre otras cosas, la unidad completa incluye:

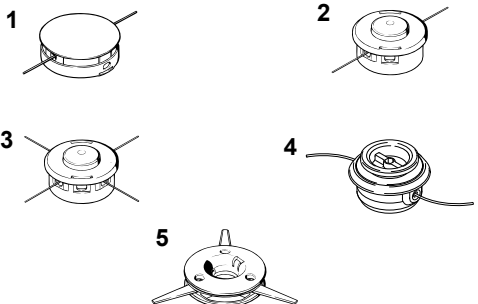
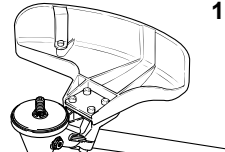
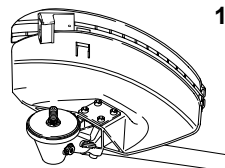

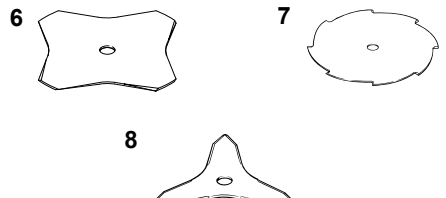
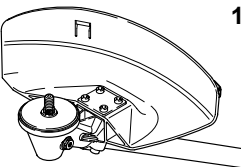


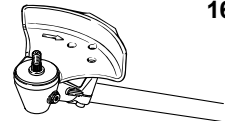


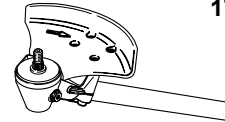

- Herramienta de corte
- Deflector o tope limitador
- Manillar tipo bicicleta
- Arnés

### Combinaciones aprobadas

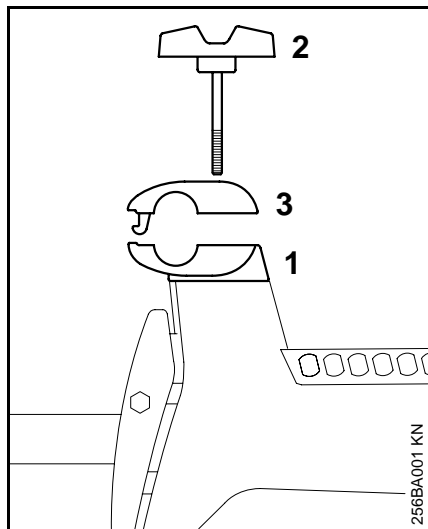
Escoja la combinación correcta de la tabla en la página siguiente basado en la herramienta de corte.

 Por razones de seguridad, solamente las herramientas, los deflectores, los mangos y los arneses indicados en cada hilera de la tabla pueden ser utilizados juntos. No está permitida ninguna otra combinación debido **al riesgo de accidentes**.

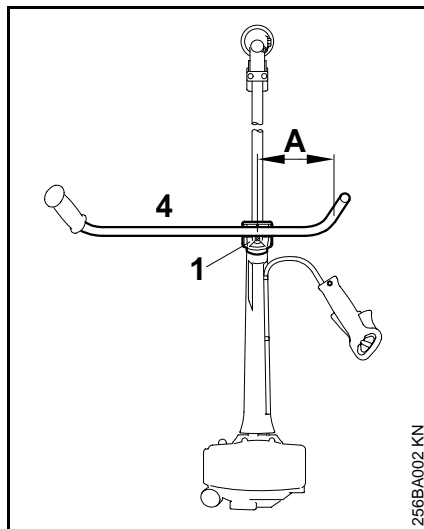
 Para reducir el riesgo de lesiones personales, tenga cuidado especial para evitar el contacto con la herramienta de corte en movimiento.

Herramientas de corte	Deflectores, topos limitadores	Arneses
	 	
		
		
		

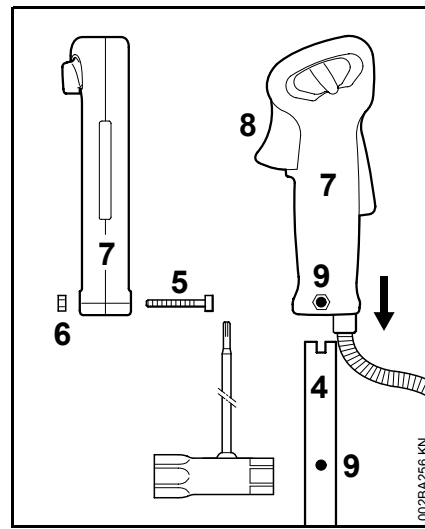
## Montaje del manillar tipo bicicleta



- Sujete la abrazadera inferior (1) firmemente.
  - Destornille y quite el tornillo de fijación (2).
  - Retire la abrazadera superior (3) de la abrazadera inferior.
- 💡 Las abrazaderas superior e inferior se sueltan una vez que se saque el tornillo de fijación.



- Coloque el manillar (4) en la abrazadera inferior (1) de manera que la distancia **A** no sea de más de 15 cm (6 pulg).
- Coloque la abrazadera superior en posición y presiónela.
- Instale el tornillo de fijación.
- Alinee el manillar a ángulo recto con respecto al tubo de mando.
- Apriete el tornillo de fijación.



- Afloje el tornillo (5); la tuerca (6) permanece en el mango de control (7).
- Empuje el mango de control – con el gatillo de aceleración (8) hacia el mecanismo – en el manillar (4) de manera que los agujeros (9) se alineen.
- Inserte el tornillo y apriételo bien firme.
- Pase a "Ajuste del cable del acelerador".

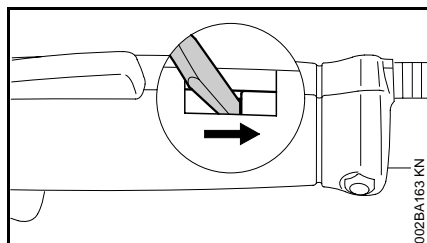
💡 Para ahorrar espacio al transportar o almacenar la máquina, afloje el tornillo de fijación y gire el manillar hasta dejarlo en línea con el eje; pliegue los mangos hacia abajo.

## Ajuste del cable del acelerador

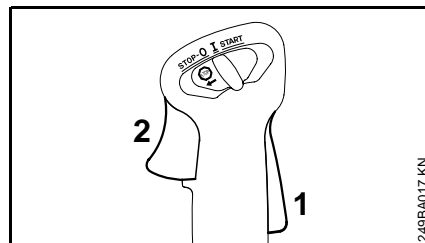
Algunas versiones tienen un ajustador del cable del acelerador en el mango de control.

💡 Un cable del acelerador correctamente ajustado es necesario para el funcionamiento correcto en las posiciones de máxima aceleración, arranque y ralentí.

Ajuste el cable del acelerador únicamente después de haber armado la máquina completamente – el mango de control debe estar en la posición de funcionamiento normal.

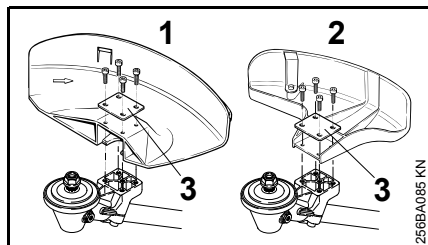


- Utilice una herramienta adecuada para empujar la pieza deslizante hasta la parte inferior de la ranura (vea la ilustración).



- Oprima el bloqueo (1) y oprima el gatillo de aceleración (2) (aceleración máxima) – esto ajusta el cable del acelerador correctamente.

## Montaje de deflectores y tope limitador



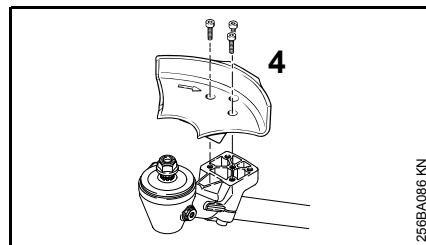
### Deflectores

1 = Deflector para herramientas segadoras

2 = Deflector para cabezas segadoras

### Montaje del deflector

- Coloque el deflector en su lugar.
- Coloque la placa (3).
- Inserte los tornillos y apriételos bien firmes.

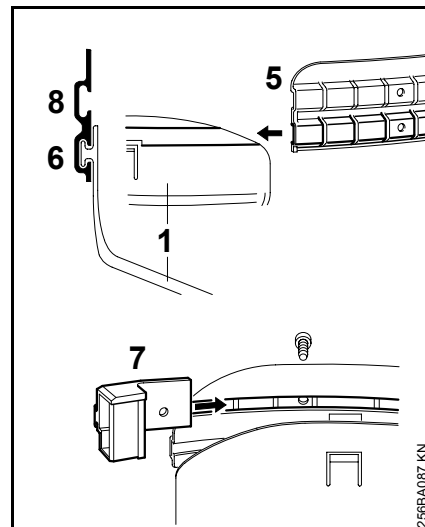


### Tope limitador

4 = Tope limitador para sierras circulares.

### Montaje del tope limitador

- Coloque el tope en su lugar.
- Inserte los tornillos y apriételos bien firmes.



Si usa una de las cabezas segadoras, observe que la faldilla (5) debe colocarse en el deflector (1):

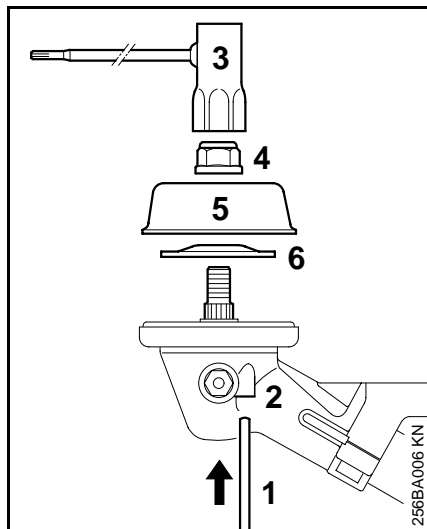
Todas cabezas segadoras con hilo de nilón:

- Utilice la **ranura guía inferior (6)** y, además, empuje la cuchilla (7) en la ranura guía superior en la faldilla – alineándola con el primer agujero.
- Inserte el tornillo y apriételo bien firme.

Cabeza segadora **PolyCut 40-3**:

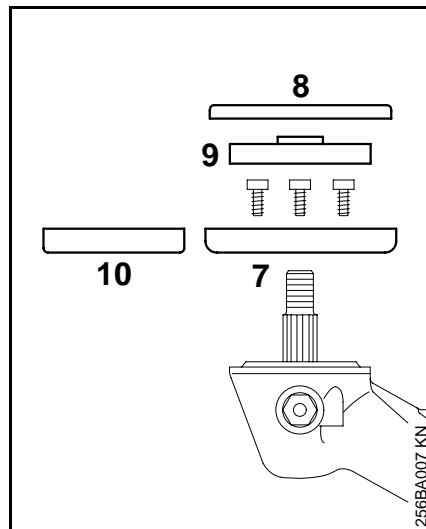
- Deslice la faldilla (8) en la ranura guía **superior**.

## Montaje de las herramientas de corte



### Bloqueo del eje impulsor

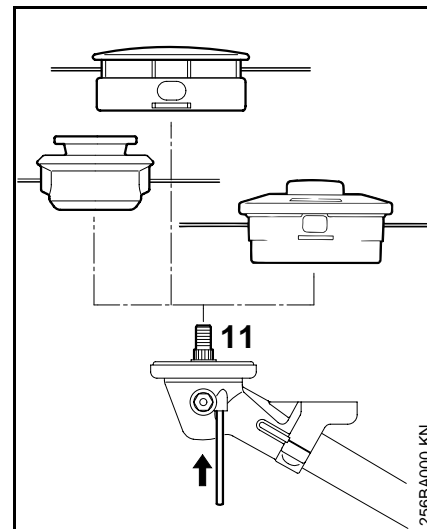
- Inserte el pasador de tope (1) en la cavidad (2) del mecanismo hasta donde tope, aplicando una ligera presión.
- Gire el eje de salida hasta que el pasador de tope encaje en posición.
- Use la llave combinada (3) para aflojar y destornillar la tuerca (4) **en sentido horario**.
- Quite la placa de refuerzo (5) y la arandela de empuje (6).



El anillo protector (7) para aplicaciones de segado y la arandela protectora (8) deben instalarse para proveer máxima protección contra pasto cortado al utilizar las **herramientas segadoras**.

Antes de instalar una **sierra circular**:

- Saque la arandela protectora (8) y extraiga la placa de empuje (9).
- Saque el anillo protector (7) para los trabajos de segado.
- Instale el anillo protector (10) para las cuchillas de sierra y la placa de empuje.



### Cabeza segadora SuperCut de STIHL

### Cabeza segadora AutoCut de STIHL

### Cabeza segadora TrimCut de STIHL

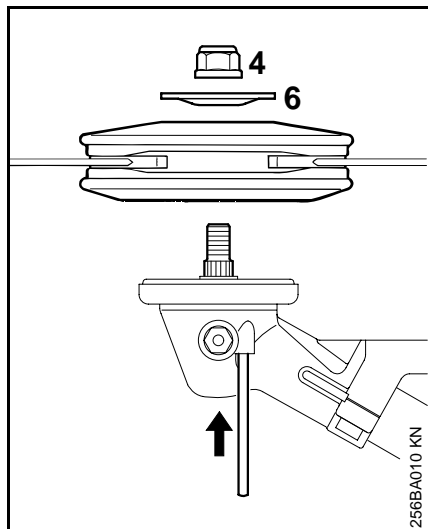
- Bloquee el eje de salida con el pasador de tope.
- Atornille la cabeza de corte **en sentido contrahorario** en el eje de salida (11) y apriétela bien firme

 Quite el pasador de tope.

### Retiro de la cabeza segadora

- Bloquee el eje de salida.
- Destornille la cabeza segadora **en sentido horario**.





### Cabeza segadora PolyCut 40-3 de STIHL

- Bloquee el eje de salida con el pasador de tope.
- Coloque la cabeza segadora en el eje.
- Coloque la arandela de empuje de (6) – el lado convexo debe quedar hacia abajo.
- Atornille la tuerca (4) en sentido **contrahorario** en el eje y apriétela firmemente.

⚠ Quite el pasador de tope.

### Retiro de la cabeza segadora

- Bloquee el eje de salida.
- Destornille la tuerca en **sentido horario**.

⚠ Si la tuerca de montaje está demasiado floja, instale una nueva.

### Ajuste del hilo de nilón

#### Nota:

Una descripción detallada se encuentra en la hoja de instrucciones suministrada con la cabeza segadora.

### Cabeza segadora SuperCut

El hilo nuevo se avanza automáticamente durante el proceso de segado y la cuchilla en el deflector lo corta al largo apropiado.

La alimentación del hilo funciona sólo si ambos hilos son por lo menos de 6 cm (2,4 pulg) de largo.

### Cabeza segadora AutoCut

Con el motor en marcha, mantenga la máquina justo encima del pasto (la cabeza segadora debe estar girando).

- Golpee suavemente la cabeza segadora en el suelo – el hilo avanza y la cuchilla en el deflector corta el hilo sobrante al largo correcto.

La alimentación del hilo funciona sólo si ambos hilos son por lo menos de 2,5 cm (1 pulg) de largo.

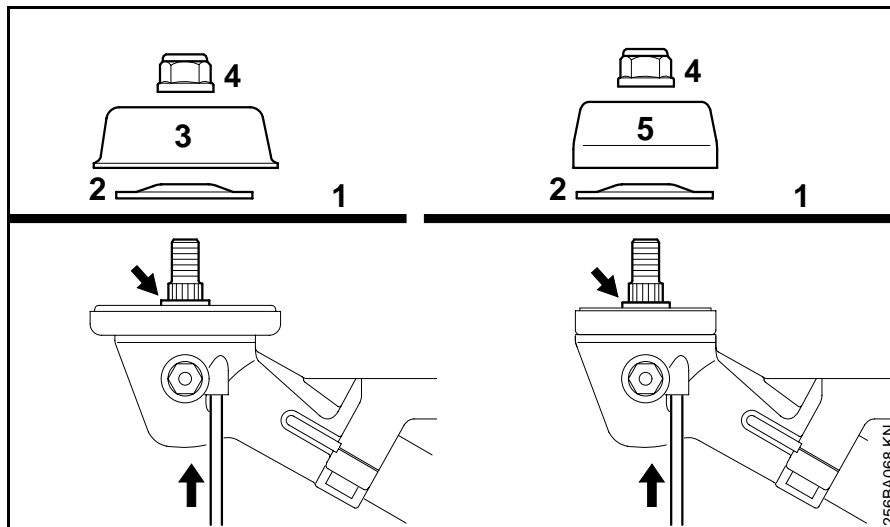
### Cabeza segadora TrimCut

Apague el motor y mueva el control deslizante a 0. Sujete la caja de la cabeza segadora firmemente y

- Tire del carrete hacia arriba – gírelo aproximadamente 1/6 de vuelta en sentido **contrahorario** y deje que vuelva solo.
- Tire de las puntas de los hilos hacia afuera.

Repita el procedimiento anterior según sea necesario, hasta que ambos hilos tengan 14 cm (5,5 pulg) de largo.

El girar el carrete de un tope al otro hace avanzar aproximadamente 4 cm (1,6 pulg) de hilo.



### Sierras circulares 200 y 225

- Coloque la herramienta de corte (1) en posición.
- ⚠ El collar (**vea la flecha**) debe encajar en el agujero de montaje de la herramienta de corte.
- ⚠ Los bordes cortantes deben apuntar en sentido horario.
- Coloque la arandela de empuje (2) – el lado convexo debe quedar hacia arriba.
- Coloque la placa de refuerzo (5) para aserrar.
- Bloquee el eje de salida.
- Atornille la tuerca (4) **en sentido contrario** y apriétela firmemente.

### Retiro de la herramienta de corte

- Bloquee el eje de salida.
- Destornille la tuerca **en sentido horario**.
- ⚠ Si la tuerca de montaje está demasiado floja, instale una nueva.

### Cuchillas para pasto, cuchilla para matorrales

- Coloque la herramienta de corte (1) en posición.
- ⚠ El collar (**vea la flecha**) debe encajar en el agujero de montaje de la herramienta de corte.

#### Cuchilla para pasto 255-8:

- ⚠ Los bordes cortantes deben apuntar en sentido horario.
- Coloque la arandela de empuje (2) – el lado convexo debe quedar hacia arriba.
- Coloque la placa de refuerzo (3) para segar.

- Bloquee el eje de salida.
- Atornille la tuerca (4) **en sentido contrario** y apriétela firmemente.

### Retiro de la herramienta de corte

- Bloquee el eje de salida.
- Destornille la tuerca **en sentido horario**.
- ⚠ Si la tuerca de montaje está demasiado floja, instale una nueva.

## Combustible

Este motor está certificado para funcionar con una mezcla de 50 a 1 de gasolina sin plomo y aceite STIHL para motores de dos tiempos.

Su motor requiere una mezcla de gasolina de calidad y aceite de calidad para motores de dos tiempos enfriados por aire.

Use gasolina sin plomo regular con un octanaje mínimo de 89 (R+M/2). Si el octanaje de la gasolina regular en su zona es más bajo, use combustible sin plomo superior.

El combustible de octanaje bajo puede aumentar la temperatura de funcionamiento del motor. Esto, a su vez, aumenta el riesgo de que se agarrote el pistón y se dañe el motor.

La composición química del combustible también es importante. Algunos aditivos de combustible no solamente tienen efectos perjudiciales en los elastómeros (diafragmas de carburador, sellos de aceite, tuberías de combustible, etc.), sino también en las piezas fundidas de magnesio y en los convertidores catalíticos. Esto podría causar problemas de funcionamiento e incluso daño del motor. Por esta razón, STIHL recomienda el uso exclusivo de gasolina sin plomo de buena calidad.

Use solamente el aceite STIHL para motores de dos tiempos o un aceite de marca equivalente para motores de dos tiempos diseñado para usar exclusivamente con los motores de dos tiempos enfriados por aire.

Recomendamos el aceite STIHL para motores de dos tiempos 50:1 pues está especialmente formulado para usarse en motores STIHL.

No use aceites para mezclar con designaciones BIA o TCW (para motores de dos tiempos enfriados por agua) ni otros aceites para mezclar diseñados para usar en motores enfriados por agua o por aire (por ejemplo, para motores marinos fuera de borda, motonieves, sierras de cadenas, bicimotos, etc.).

Manipule la gasolina con sumo cuidado. Evite el contacto directo con la piel y evite inhalar los vapores de combustible. Cuando se reabastece de combustible, quite primero el envase del vehículo y colóquelo en el suelo antes de llenarlo. No llene un envase que está en un vehículo o apoyado sobre el mismo.

Mantenga el envase bien cerrado para evitar la entrada de humedad a la mezcla.

Según sea necesario, limpie el tanque de combustible de la máquina y el envase en que se guarda la mezcla de combustible.

### Duración de la mezcla de combustible

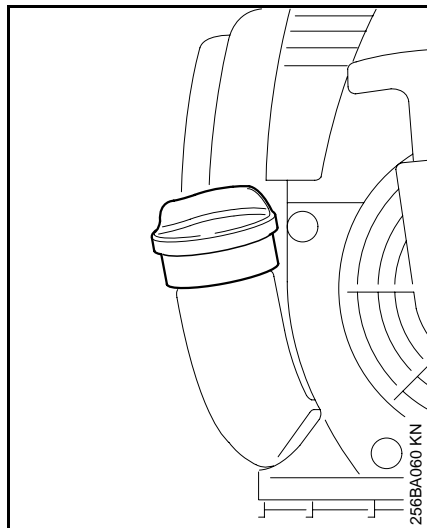
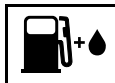
Mezcle una cantidad suficiente de combustible para trabajar unos pocos días, no lo guarde por más de 3 meses. Guárdelo únicamente en envases aprobados para combustible. Para el proceso de mezclado, vierta el aceite en el envase primero y luego agregue la gasolina. Cierre el envase y agítelo vigorosamente a mano para asegurar que se mezclen bien el aceite y la gasolina.

Gasolina	Aceite (STIHL 50:1 ó aceite de calidad equivalente)
----------	---

gal EE.UU.	oz fl EE.UU.
1	2.6
2 1/2	6.4
5	12.8

Deseche los envases vacíos usados para mezclar el aceite únicamente en vertederos autorizados para ello.

## Llenado de combustible

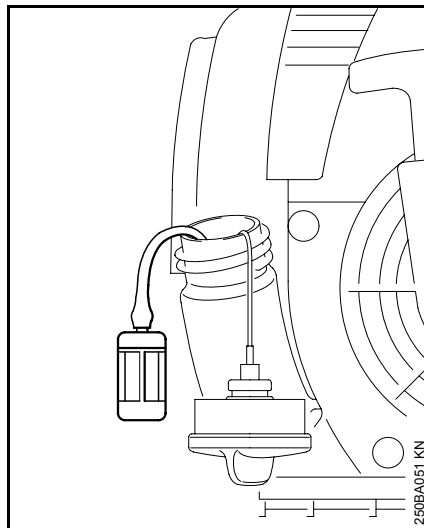


Antes de llenar la máquina con combustible, limpie a fondo la tapa de llenado y la zona alrededor del mismo para evitar la entrada de tierra al tanque.

Siempre agite la mezcla vigorosamente en el recipiente antes de llenar la máquina con combustible.

**⚠** Para reducir el riesgo de quemaduras, así como otras lesiones corporales ocasionadas por los escapes de vapor de gasolina y otras emanaciones, quite la tapa de llenado de combustible cuidadosamente de modo que la presión que se pueda haber acumulado en el tanque se disipe lentamente.

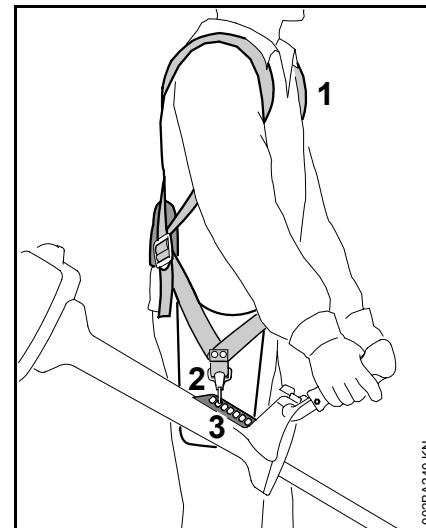
**⚠** Después de haber llenado la máquina con combustible, apriete la tapa del tanque **tan firmemente como sea posible** con la mano.



### Cambie el recogedor de combustible una vez al año.

Antes de guardar la máquina por un período prolongado, vacíe y limpie el tanque de combustible. Haga funcionar el motor hasta que el carburador se seque.

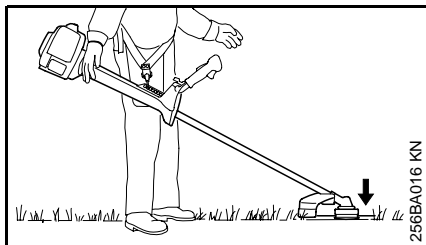
## Colocación del arnés



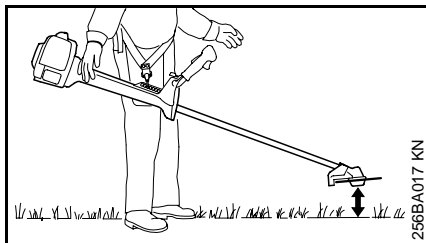
- Póngase el arnés completo (1).
- Ajuste el largo hasta que el gancho de resorte (2) esté a una distancia más o menos igual al ancho de la mano por debajo de la cadera derecha. Las bandas se pueden cortar a largo correcto después de hacer los ajustes.
- Conecte el gancho de resorte a la pletina perforada de la máquina (3).

Encuentre el punto de conexión correcto para la herramienta de corte específica – vea la sección "Equilibrio de la máquina".

## Equilibrio de la máquina



256BA016 KN



256BA017 KN

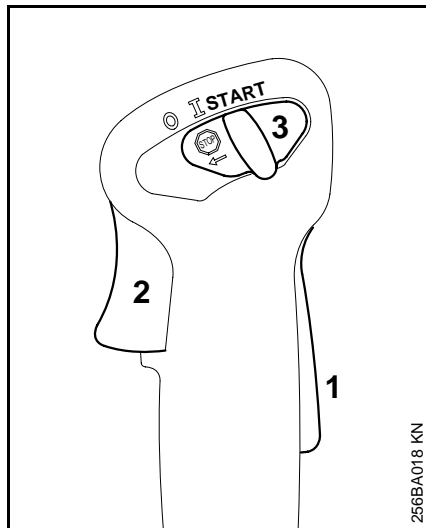
- Conecte la máquina al arnés. Déjela suelta y vea si está equilibrada – cambie el punto de conexión del gancho del resorte según sea necesario:

### Las herramientas segadoras

(cabezas segadoras, cuchillas para cortar pasto, cuchillas para cortar matorrales) apenas deben tocar el suelo (ilustración de arriba).

**Las cuchillas circulares** deben quedar flotando a unos 20 cm (8 pulg) sobre el suelo (ilustración de abajo).

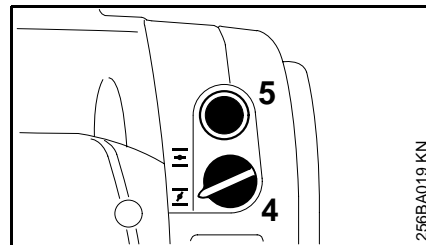
## Arranque / parada del motor



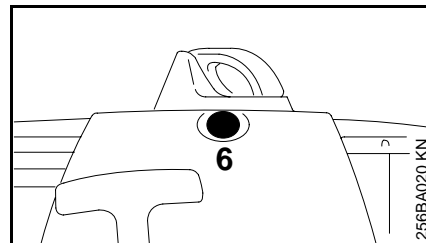
256BA018 KN

### Arranque

- Respete las medidas de seguridad – vea el capítulo "Medidas de seguridad" en este manual.
- Mantenga oprimido el bloqueo del gatillo (1) y oprima el gatillo de aceleración (2). Mantenga las dos palancas en esa posición.
- Mueva el control deslizante (3) hacia la posición de arranque (START) y manténgalo en esa posición.
- Ahora suelte el gatillo de aceleración, el control deslizante y el bloqueo del gatillo, en el orden indicado. Esta es la **posición de arranque del acelerador**.



256BA019 KN




256BA020 KN

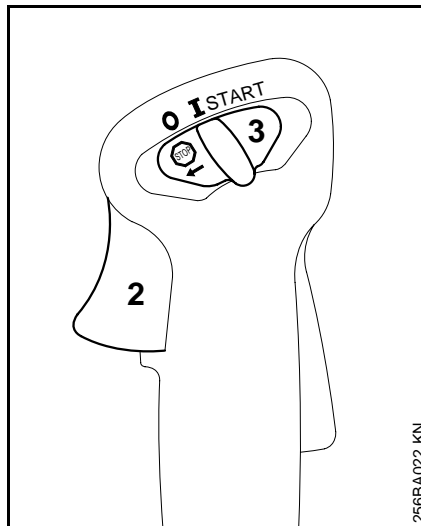
- Mueva la perilla del estrangulador (4):  
**a para arranque en frío**  
**a para arranque en caliente**  
 (También utilice esta posición si el motor ha estado en marcha, pero todavía se encuentra frío)
- Oprima el bulbo (5) de la bomba de combustible por lo menos cinco veces, aunque el bulbo esté lleno de combustible.
- Presione el botón de la válvula de descompresión (6). Presione este botón antes de **cada intento de arrancar el motor**.




- Coloque la máquina sobre el suelo. Debe quedar firmemente apoyada en el apoyo del motor y el deflector. Verifique que la herramienta de corte no esté tocando el suelo ni ningún otro obstáculo.
- Asegúrese de tener los pies bien apoyados.
- Sostenga la máquina **firmemente** sobre el suelo con la mano izquierda.

 No se pare ni se arrodille sobre el tubo de mando.

- Con la mano derecha tire lentamente del mango de arranque hasta que sienta una resistencia definitiva y en seguida dele un tirón fuerte y rápido. No tire de la cuerda de arranque totalmente hasta afuera, al hacerlo se podría cortar.
- No deje que el mango de arranque retroceda bruscamente; guíelo lentamente hacia el interior de la caja de modo que la cuerda se enrolle debidamente.
- **Siga intentando el arranque.**



#### Cuando el motor empieza a encenderse

- Ponga la perilla del estrangulador en 
- Presione el botón de la válvula de descompresión de nuevo y continúe haciendo girar el motor.

#### Tan pronto arranca

- Oprima el gatillo de aceleración (2) momentáneamente de modo que el control deslizante (3) se desplace a la posición de marcha normal **I**, y el motor regrese a ralentí.

Asegúrese que el carburador esté correctamente ajustado; la herramienta de corte no debe girar cuando el motor está funcionando a ralentí.

**Su cortadora de matorrales está lista para trabajar.**

#### Para apagar el motor

- Mueva el control deslizante a la posición **0** 

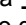
#### A temperaturas ambiente muy bajas:

Tan pronto arranque:

- Accione momentáneamente el gatillo de aceleración. El control deslizante se desplaza a la posición de marcha normal **I** y el motor regresa a ralentí.
- Abra el acelerador ligeramente.
- Caliente el motor por un tiempo breve.

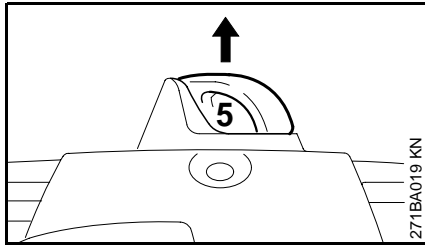
FS 400, 450: De ser necesario, cambie al modo para uso durante el invierno – vea " Manejo durante el invierno".

#### Si el motor no arranca



Si no se movió la perilla del estrangulador a  en un tiempo suficientemente corto después que el motor empezó a encenderse, la cámara de combustión se encuentra "ahogada".

- Ponga el control deslizante, la palanca de bloqueo y el gatillo de aceleración en la posición de arranque.
- Arranque el motor tirando enérgicamente de la cuerda de arranque. Puede ser necesario hacer 10 a 20 intentos.

## Instrucciones de manejo



### Si el motor todavía no arranca:

- Mueva el control deslizante a la posición **0** 
- Saque el casquillo de la bujía (**5**).
- Destornille y seque la bujía.
- Abra el acelerador al máximo.
- Haga girar el motor varias veces con el arrancador para despejar la cámara de combustión.
- Vuelva a instalar la bujía. Conecte el casquillo de la bujía (empújelo firmemente).
- Mueva el control deslizante a la posición de arranque (**START**).
- Ponga la perilla del estrangulador en  – aun si el motor está frío.
- Ahora arranque el motor.

### Cable del acelerador

- Revise el ajuste del cable del acelerador – vea el capítulo "Ajuste del cable del acelerador".

### Se ha dejado que se agote el combustible y se ha vuelto a llenar

- Oprima el bulbo de la bomba de combustible por lo menos cinco veces, aunque el bulbo esté lleno de combustible.

### Durante el período de rodaje

Una máquina nueva no debe hacerse funcionar a velocidad alta (aceleración máxima sin carga) por el lapso que tome llenar el tanque tres veces. Esto evita la imposición de cargas innecesariamente altas durante el período de rodaje. Puesto que todas las piezas móviles necesitan un período de rodaje, las resistencias causadas por la fricción en el motor son mayores durante este período. El motor desarrolla su potencia máxima después de haber llenado el tanque de 5 a 15 veces.

### Durante el funcionamiento

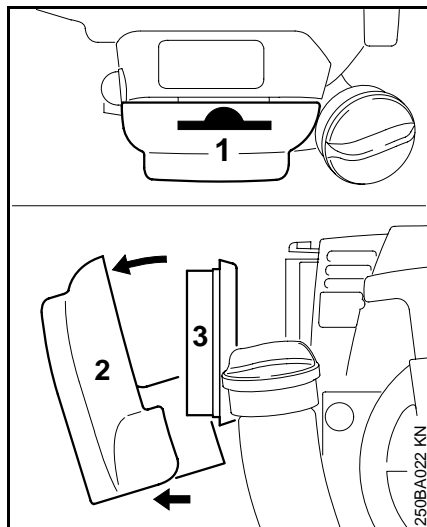
Después de un período largo de funcionamiento con el acelerador a fondo, deje funcionar el motor por un rato en ralentí de modo que el calor en el motor sea disipado por la corriente de aire de enfriamiento. Esto ayuda a evitar que los componentes montados en el motor (encendido, carburador) sufran sobrecargas térmicas.

### Después de terminar el trabajo

Espera que el motor se enfríe. Vacíe el tanque de combustible. Almacene la máquina en un lugar seco. Revise el apriete de las tuercas y tornillos (no los tornillos de ajuste) periódicamente y vuelva a apretar según sea necesario.

## Limpeza del filtro de aire

FS 300, 350



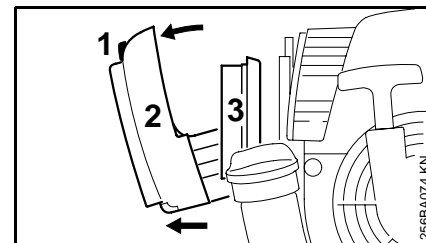
La suciedad en el filtro de aire reduce la potencia del motor, aumenta el consumo de combustible y dificulta el arranque del motor.

### Si se nota una pérdida considerable de la potencia del motor

- Gire la perilla del estrangulador a I.
- Oprima la lengüeta (1).
- Saque la tapa del filtro (2).
- Quite la tierra suelta del interior de la cubierta y de alrededor del filtro.

## Limpeza del filtro de aire

FS 400, 450, 480



La suciedad en el filtro de aire reduce la potencia del motor, aumenta el consumo de combustible y dificulta el arranque del motor.

### Si se nota una pérdida considerable de la potencia del motor

- Gire la perilla del estrangulador a I.
- Afloje el tornillo de montaje (1).
- Saque la tapa del filtro (2).
- Quite la tierra suelta del interior de la cubierta y de alrededor del filtro.
- Quite el elemento del filtro (3) e inspecciónelo – sustitúyalo si está sucio o dañado.
- Coloque el filtro de aire en la tapa.
- Coloque la tapa del filtro.



## Manejo del motor

Las emisiones de gases de escape son controladas por el diseño de parámetros y componentes fundamentales del motor (por ej. carburación, encendido, regulación y regulación de la válvula o lumbrera) sin la adición de ningún equipo importante.

## Ajuste del carburador

### Información general

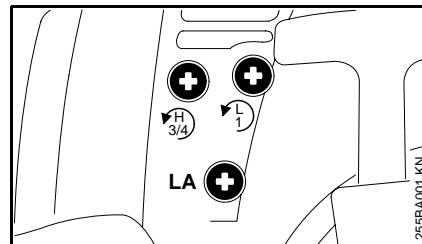
El carburador se ajusta en la fábrica al ajuste estándar.

Este ajuste provee una mezcla óptima de combustible y aire bajo la mayoría de las condiciones de funcionamiento.

Con este carburador es posible ajustar el tornillo de velocidad rápida dentro de una gama pequeña.

### Ajuste estándar

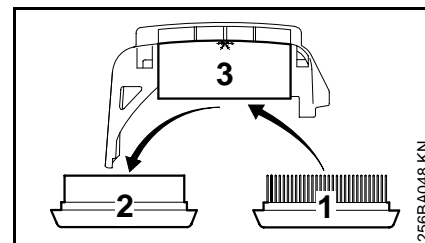
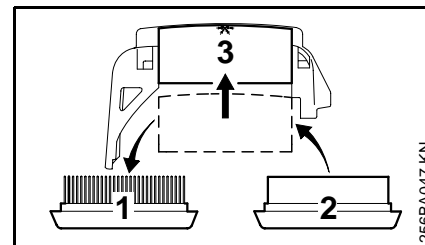
- Apague el motor.
- Monte la herramienta de corte aprobada.
- Revise el filtro de aire y sustitúyalo si es necesario.
- Revise el ajuste del cable del acelerador y reajústelo de ser necesario—vea "Ajuste del cable del acelerador".



- Gire el tornillo de ajuste de velocidad alta (**H**) en sentido contrahorario hasta su tope (**no más de 3/4 de vuelta**).
- Atornille cuidadosamente el tornillo de velocidad baja (**L**) hasta que tope en su asiento. Después ábralo **una** vuelta en sentido contrahorario.
- Arranque el motor y déjelo funcionar hasta que se caliente.
- Ajuste la velocidad de ralentí con el tornillo (**LA**) hasta que la herramienta de corte deje de girar.

## Manejo durante el invierno

FS 400, 450, 480



Instale el juego de "Pre calentamiento de aire de admisión" 4128 007 1001\* para evitar la formación de hielo en el filtro de aire y carburador a temperaturas ambiente inferiores a +10°C/+50°F y en condiciones de nieve polvorienta o llevada por el viento.

- Retire el filtro de aire estándar (1).
- Instale el filtro especial (2) para manejo durante el invierno.
- Empuje la cubierta (3) hacia arriba contra la parte inferior de la tapa del filtro. Esta es la **posición de invierno** (ilustración superior).

\* vea la "Guía para el uso de este manual"

### Ajuste de ralentí

El motor se para durante el funcionamiento a ralentí

- Efectúe el ajuste estándar del tornillo de velocidad baja (L).
- Gire el tornillo de ajuste de ralentí (LA) en sentido horario hasta que el motor funcione de modo suave – la herramienta de corte no debe girar.

La herramienta de corte gira cuando el motor funciona a ralentí

- Gire el tornillo de ralentí (LD) en sentido contrahorario hasta que la herramienta de corte se detenga y luego gírelo aproximadamente otra **media vuelta a vuelta completa** en el mismo sentido a partir de esa posición.

Funcionamiento irregular a ralentí, aceleración deficiente

- Efectúe el ajuste estándar del tornillo de velocidad baja (L).

**Ajuste de ralentí con mezcla muy pobre:**

- Gire el tornillo de velocidad baja (L) en sentido contrahorario hasta que el motor funcione y se acelere de modo uniforme.

Generalmente es necesario cambiar el ajuste del tornillo de ralentí (LA) después de cada corrección hecha al tornillo de velocidad baja (L).

**Ajuste fino del carburador para funcionamiento a alturas grandes**

Una corrección muy leve puede ser necesaria si el motor no funciona correctamente:

- Revise el ajuste estándar.
- Caliente el motor.
- Gire el tornillo de ajuste de velocidad alta (H) en sentido horario (mezcla más pobre).

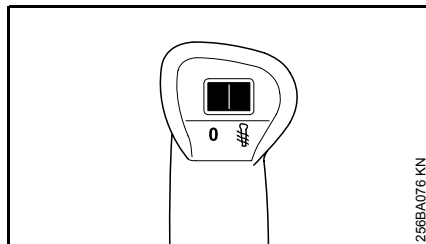
## Calefactor eléctrico del mango



## Revisión de la bujía

Al final de la temporada fría:

- Quite el filtro de aire especial (2) para manejo durante el invierno e instale el filtro estándar (1).
- Empuje la tapa (3) a la **posición de verano** (ilustración inferior).

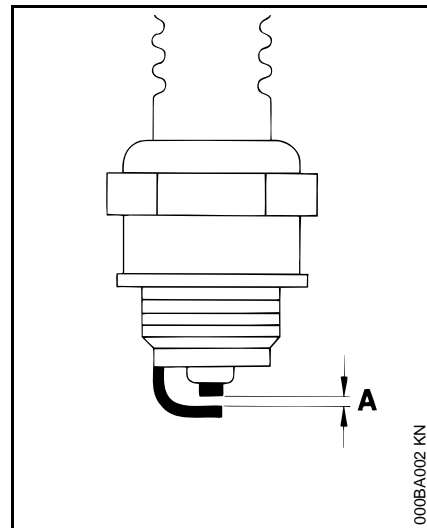


Activación del calefactor del mango (opción especial)

- Mueva el interruptor en el mango izquierdo a – Coloque el interruptor en para apagar el calefactor.

Si la temperatura del mango es excesiva – mueva el interruptor a .

No existe riesgo de sobrecalentamiento durante los períodos largos de funcionamiento. El sistema de calefacción no requiere mantenimiento. Comuníquese con el concesionario de servicio si tiene problemas.



La mezcla de combustible incorrecta (demasiado aceite de motor en la gasolina), el filtro de aire sucio y condiciones de funcionamiento desfavorables (generalmente a media aceleración, etc.) afectan la condición de la bujía. Estos factores causan la formación de depósitos en la punta del aislador lo que puede dificultar el funcionamiento.

## Funcionamiento del motor

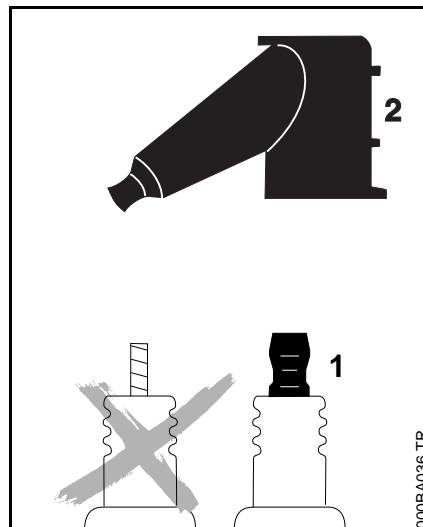
Si el motor tiene poca potencia, le cuesta arrancar o funciona deficientemente a velocidad de ralentí, primero revise la bujía.

- Saque la bujía – vea „Arranque / parada del motor“.
- Limpie la bujía sucia.
- Mida la separación entre electrodos de la bujía **(A)**. Vuelva a ajustar si es necesario. Vea “Especificaciones”.
- Use únicamente bujías de tipo resistencia de capacidad aprobada.

Corrija la causa de la suciedad de la bujía:

- Demasiado aceite en la mezcla de combustible.
- Filtro de aire sucio.
- Condiciones de funcionamiento desfavorables, por ej., funcionamiento a media aceleración.

**Coloque una bujía nueva después de 100 horas de funcionamiento**, aproximadamente, o más temprano si nota que los electrodos están muy desgastados.



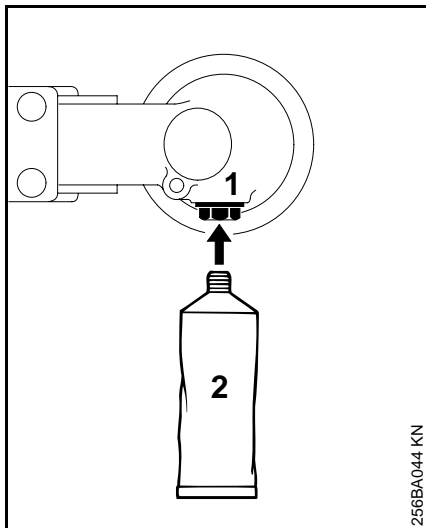
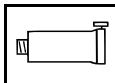
**⚠** Para reducir el riesgo de incendios y lesiones por quemadura, use solamente bujías autorizadas por STIHL. Siempre encaje un casquillo **(2)** del tamaño correcto bien ajustado en el borne **(1)** de la bujía. (Nota: Si el borne tiene una tuerca adaptadora SAE desprendible, colóquela.) Una conexión suelta entre el casquillo de la bujía y el conector del alambre de encendido puede formar un arco eléctrico, inflamar los vapores combustibles y finalmente causar un incendio.

Si el funcionamiento del motor es insatisfactorio aunque el filtro de aire está limpio y el carburador y el cable del acelerador han sido debidamente ajustados, la causa puede hallarse en el silenciador.

Solicite al concesionario STIHL que inspeccione si hay carbonización en el silenciador.

STIHL recomienda que solamente los concesionarios STIHL autorizados efectúen los trabajos de mantenimiento y reparación.

## Lubricación de la caja de engranajes



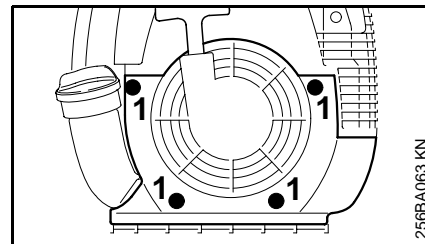
256BA044 KN

Utilice lubricante para engranajes STIHL para cortadoras de matorrales (Vea la "Guía para el uso de este manual").

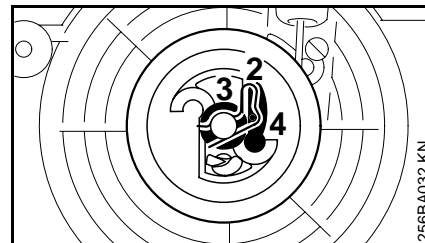
- Revise el nivel de grasa después de aprox. cada 100 horas de funcionamiento.
- Desenrosque el tapón de llenado (1).
- Si no se ve grasa en el interior del tapón de llenado, atornille el tubo (2) del lubricante para engranajes STIHL en el agujero de llenado.
- Exprima grasa dentro de la caja de engranajes - aproximadamente 5 g (1/5 oz).

- ⚙ No llene completamente con grasa la caja de engranajes.
- Vuelva a colocar el tapón de llenado y apriételo firmemente.

## Sustitución de la cuerda de arranque y resorte de rebobinado



256BA063 KN

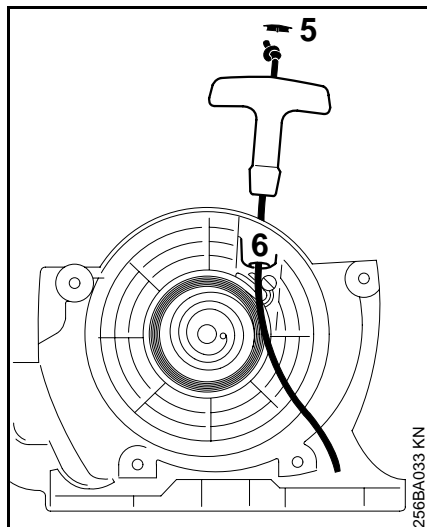


256BA032 KN

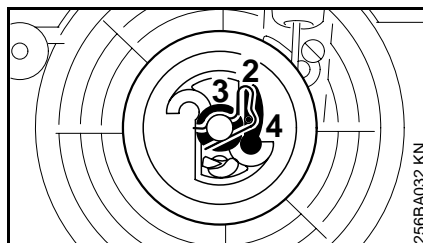
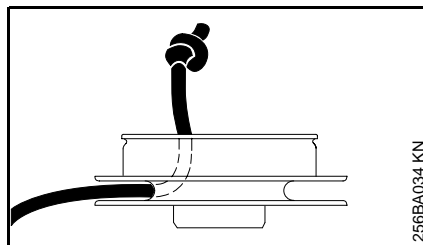
## Sustitución de la cuerda de arranque

⚠ El resorte de rebobinado puede saltarse y desenrollarse – tome medidas para evitar lesiones durante la operación siguiente.

- Saque los tornillos (1) .
- Retire la caja del ventilador.
- Quite la pinza de resorte (2).
- Quite cuidadosamente el rotor de la cuerda con la arandela (3) y el trinquete (4).

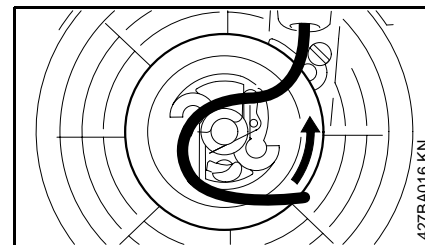


- Retire cuidadosamente la tapa (5) del mango de arranque.
- Quite el resto de la cuerda del rotor y del mango.
- Haga un nudo de rizo sencillo en el extremo de la cuerda de arranque nueva (vea Especificaciones) y después pase la cuerda por la parte superior del mango y por el buje de la cuerda (6).
- Vuelva a instalar la tapa en el mango.



- Pase la cuerda a través del rotor y fijela en éste con un nudo de rizo simple.
- Lubrique la cavidad del cojinete del rotor de la cuerda con aceite sin resina (Accesorios especiales).
- Deslice el rotor en el poste del arrancador. Gírelo hacia uno y otro lado hasta que la espiral del resorte de rebobinado se enganche.
- Instale el trinquete (4) y la arandela (3), y presione la pinza de resorte (2) en su lugar.

La pinza de resorte debe apuntar en sentido contrahorario y encajarse en la espiral del trinquete.




### Tensado del resorte de rebobinado

- Forme un bucle con la cuerda de arranque sin envolver y utilícelo para girar el rotor seis revoluciones completas en el sentido de la flecha (vea la ilustración).
- Sujete el rotor inmóvil – enderece la cuerda si se retuerce.
- Suelte el rotor
- Suelte el rotor y la cuerda lentamente de modo que ésta se enrolle en el rotor.


El mango de arranque debe quedar firmemente en el buje guía de la cuerda. Si el mango cae hacia un lado: Dele una vuelta adicional al rotor de la cuerda para aumentar la tensión del resorte.

Cuando la cuerda de arranque se **extiende completamente**, debe ser posible girar el rotor por lo menos media vuelta adicional (FS 300,350) o vuelta y media (FS 400, 450, 480).

 En caso contrario, el resorte está sobretensado y podría romperse.

- Qúitele una vuelta de la cuerda al rotor.
- Instale la caja del ventilador.

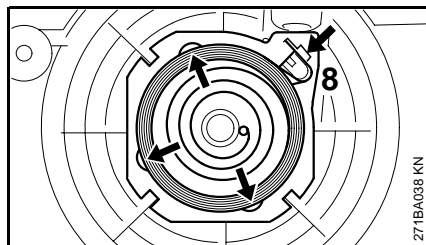
### Sustitución del resorte de rebobinado

 Partes rotas del resorte aún pueden estar bajo tensión y podrían desprenderse violentamente en su dirección al quitar el rotor de la cuerda y la caja del resorte. Para reducir el riesgo de lesionarse, póngase guantes, anteojos y protector facial para las siguientes operaciones:

- Quite el rotor de la cuerda de la forma descrita en "Sustitución de la cuerda de arranque".

### FS 400, 450, 480

- Quite el tornillo de la espiral exterior del resorte.
- Quite las piezas del resorte viejo.
- Lubrique el resorte nuevo con unas cuantas gotas de aceite sin resina (Accesorios especiales).

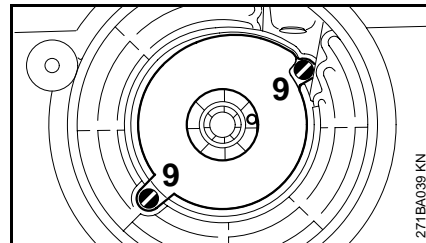


- Coloque el resorte **con el marco** retenedor en posición – verifique que la espiral exterior del resorte (8) esté debidamente asentada.
- Utilice una herramienta adecuada para meter el resorte en la caja. Inserte la herramienta a través de las aberturas (vea las flechas). El marco se quita durante el proceso.

Si el resorte se sale y se desenrolla durante la instalación: Vuélvalo a instalar en la caja de resorte en sentido contrario – empiece desde el exterior y trabaje hacia el interior.

- Instale el tornillo.
- Instale el rotor de la cuerda de la forma descrita en "Sustitución de la cuerda de arranque".
- Tense el resorte de rebobinado.
- Instale la caja del ventilador.

### FS 300, 350



- Saque los tornillos (9).
- Retire la caja de resorte y las piezas del resorte viejo.
- Lubrique el resorte nuevo en la caja de resorte nueva con unas cuantas gotas de aceite sin resina (Accesorios especiales).
- Coloque el resorte nueva con la caja de resorte – la placa inferior debe quedar orientada hacia arriba.

Si el resorte se sale y se desenrolla durante la instalación: Vuélvalo a instalar en la caja de resorte en sentido horario – empiece desde el exterior y trabaje hacia el interior.

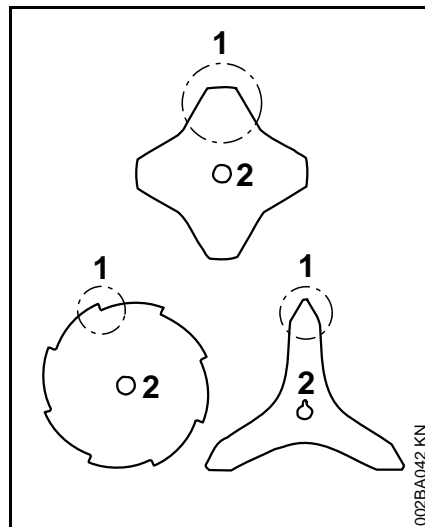
- Instale los tornillos.
- Instale el rotor de la cuerda de la forma descrita en "Sustitución de la cuerda de arranque".
- Tense el resorte de rebobinado.
- Instale la caja del ventilador.

## Almacenamiento de la máquina

Para intervalos de 3 meses o más

- Vacíe y limpie el tanque de combustible en una zona bien ventilada.
- Deseche los residuos de combustible y solución de limpieza de acuerdo con los requerimientos locales de protección del medio ambiente.
- Haga funcionar el motor hasta que el carburador se seque – esto ayuda a evitar que los diafragmas del carburador se peguen.
- Retire, limpie e inspeccione el accesorio de corte.
- Limpie la máquina a fondo - preste atención especial a las aletas del cilindro y al filtro de aire.
- Guarde la máquina en un lugar seco y elevado, o bajo llave – fuera del alcance de los niños y de otras personas no autorizadas.

## Afilado de las herramientas de corte metálicas



**⚠** Nunca intente enderezar o soldar una herramienta de corte doblada o agrietada – podría despedazarse y causar lesiones graves o la muerte.

- Afíle frecuentemente, quitando la menor cantidad posible de material; por lo general dos o tres pasadas de la lima son suficientes.

### Para evitar el desequilibrio:

- Afíle las cuchillas (1) uniformemente – no altere de manera alguna el contorno de la cuchilla matriz (2).
- Después de aproximadamente 5 afiladas, haga revisar la cuchilla en el equilibrador\* STIHL.

### Cuchillas para pasto, cuchilla para matorrales

Use una lima plana\* para afilar las cuchillas para pasto que estén romas o embotadas.

En el caso de desgaste o mellas más serios: Vuelva a afilar con una rectificadora o pida que el trabajo se lo haga el concesionario STIHL.

### Sierras circulares con dientes tipo cincel

Siga las instrucciones de afilado provistas o impresas en el lado interior del embalaje de la cuchilla.

### Sierras circulares con dientes raspadores

Utilice una lima plana para afilar las partes posteriores de los dientes hasta que sus puntas queden completamente afiladas.

\* vea la "Guía para el uso de este manual"



## Tabla de mantenimiento

Sírvese notar que los intervalos de mantenimiento siguientes son aplicables en condiciones normales de funcionamiento. Si el tiempo de trabajo por jornada es más largo que lo normal, o si las condiciones de corte son extremas (zonas polvorientas, etc.), acorte los intervalos indicados de modo correspondiente.		antes de comenzar el trabajo	después de terminar el trabajo o diariamente	después de cada parada para cargar combustible	semanalmente	mensualmente	cada 12 meses	si hay problema	si tiene daños	según se requiera
Máquina completa	Inspección visual (condición general, fugas)	X		X						
	Limpiar		X							
Mango de control	Comprobar funcionamiento	X		X						
Filtro de aire	Limpiar							X		X
	Reemplazar								X	
Cuerpo aspirador en el tanque de combustible	Revisar							X		
	Reemplazar					X			X	X
Tanque de combustible	Limpiar				X			X		X
Carburador	Comprobar el ajuste de ralentí	X		X						
	Ajustar el ralentí									X
Bujía	Ajustar la distancia entre electrodos							X		
	Cambiar cada 100 horas									
Entradas de enfriamiento	Inspeccionar		X							
	Limpiar									X
Chispero en silenciador*	Inspeccionar							X		X
	Solicitar al concesionario de servicio su sustitución <sup>1)</sup>								X	
Todos los tornillos y tuercas accesibles (salvo los tornillos de ajuste)	Volver a apretar									X
Sistema antivibración	Revisar	X						X		X
	Solicitar al concesionario de servicio su sustitución <sup>1)</sup>								X	

<sup>1)</sup> STIHL recomienda acudir a un concesionario

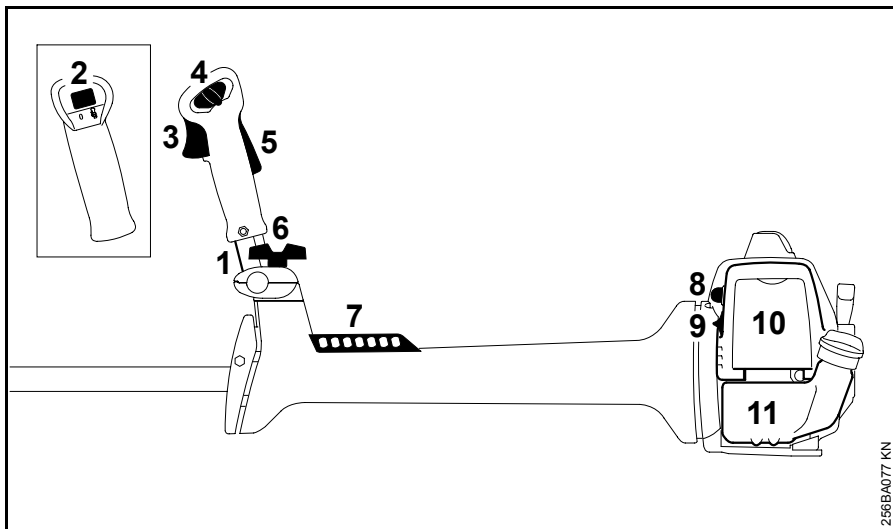
STIHL para servicio

\* no en todas las versiones, de acuerdo con el mercado

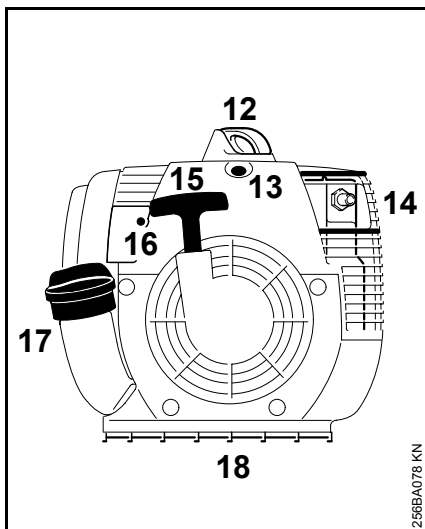
Sírvese notar que los intervalos de mantenimiento siguientes son aplicables en condiciones normales de funcionamiento. Si el tiempo de trabajo por jornada es más largo que lo normal, o si las condiciones de corte son extremas (zonas polvorientas, etc.), acorte los intervalos indicados de modo correspondiente.		antes de comenzar el trabajo	después de terminar el trabajo o diariamente	después de cada parada para cargar combustible	semanalmente	mensualmente	cada 12 meses	si hay problema	si tiene daños	según se requiera
Herramienta de corte	Inspección	X		X						
	Reemplazar								X	
	Comprobar el apriete	X		X						
Herramientas de corte metálicas	Afilar	X								X
Lubricación de caja de engranajes	Revisar				X					
	Llenar									X
Etiquetas de seguridad	Reemplazar								X	

- 1) STIHL recomienda acudir a un concesionario STIHL para servicio

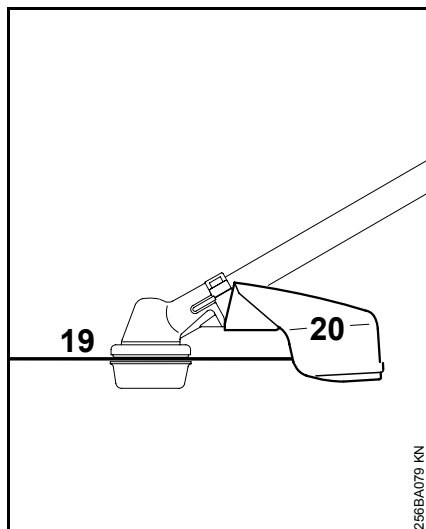
## Piezas y controles



- 1 Manillar
- 2 Interruptor para calefactor de mango (Accesorio especial)
- 3 Gatillo de aceleración
- 4 Control deslizante
- 5 Bloqueo del gatillo de aceleración
- 6 Tornillos de fijación
- 7 Correa de transporte
- 8 Bomba de combustible
- 9 Perilla de estrangulador
- 10 Tapa del filtro
- 11 Tanque de combustible



- 12 Casquillo de la bujía
- 13 Válvula de descompresión
- 14 Silenciador
- 15 Mango de arranque
- 16 Tornillos de ajuste del carburador
- 17 Tapa de llenado de combustible
- 18 Placa protectora



- 19 Herramienta de corte
- 20 Deflector

## Definiciones

1. **Manillar**  
Para facilitar el control de la máquina con ambas manos durante el proceso de corte.
2. **Interruptor para calefactor de mango (Accesorio especial)**  
Para encender y apagar el calefactor eléctrico del mango.
3. **Gatillo de aceleración**  
Controla la velocidad del motor.
4. **Control deslizante**  
Posiciones de arranque, marcha y parada. Mantiene el acelerador parcialmente abierto durante el arranque, apaga el encendido del motor y detiene su marcha.
5. **Bloqueo del gatillo de aceleración**  
Hay que oprimirlo para poder activar el gatillo de aceleración.
6. **Tornillos de fijación**  
Bloquean el manillar en la posición seleccionada.
7. **Correa de transporte**  
Un dispositivo para conectar la sierra despejadora al arnés.
8. **Bomba de combustible**  
Suministra alimentación adicional de combustible para el arranque en frío.
9. **Perilla de estrangulador**  
Facilita el arranque del motor al enriquecer la mezcla.
10. **Tapa del filtro**  
Cierra y protege el filtro de aire.
11. **Tanque de combustible**  
Contiene la mezcla de combustible y aceite.
12. **Casquillo de bujía**  
Conecta la bujía al cable de encendido.
13. **Válvula de descompresión**  
Para facilitar el arranque.
14. **Silenciador**  
Reduce los ruidos del tubo de escape y desvía los gases de escape lejos del operador.
15. **Mango de arranque**  
El mango de la cuerda de arranque, el cual es el dispositivo usado para arrancar el motor.
16. **Tornillos de ajuste del carburador**  
Para afinar el carburador.
17. **Tapa de llenado de combustible**  
Para tapar el tanque de combustible.
18. **Placa protectora**  
Para apoyar la máquina en el suelo.
19. **Herramienta de corte**  
El accesorio de corte, que se usa para diferentes propósitos.
20. **Deflector**  
El deflector tiene por objeto reducir el riesgo de lesiones causadas por objetos extraños arrojados contra el operador por la herramienta de corte y por el contacto con la herramienta de corte. La faldilla que se encuentra en la parte inferior del deflector debe ser ajustada de la manera que se explica en el capítulo "Herramientas de corte y deflectores".

## Especificaciones

### EPA / CEPA :

L'étiquette d'homologation relative aux gaz d'échappement indique la durée de la période pendant laquelle cette machine remplit les conditions requises pour l'homologation du point de vue des gaz d'échappement. L'indication de cette étiquette exprime le nombre d'heures de service pour lequel il a été prouvé qu'un moteur considéré satisfait aux prescriptions US relatives aux gaz d'échappement.

Catégorie:

A = 300 heures,

B = 125 heures,

C = 50 heures

### CARB :

Les données de l'étiquette CARB expriment la période durant laquelle cette machine remplit les conditions spécifiées dans l'homologation du point de vue des gaz d'échappement, avec les termes suivants :

Longue durée = 300 heures

Durée moyenne = 125 heures

Faible durée = 50 heures

### Motor

Motor STIHL de un cilindro, dos tiempos

### Cilindrada

FS 300: 30,8 cm<sup>3</sup> (1,88 pulg<sup>3</sup>)

FS 350: 40,2 cm<sup>3</sup> (2,45 pulg<sup>3</sup>)

FS 400: 40,2 cm<sup>3</sup> (2,45 pulg<sup>3</sup>)

FS 450: 44,3 cm<sup>3</sup> (2,70 pulg<sup>3</sup>)

FS 480: 48,7 cm<sup>3</sup> (2,96 pulg<sup>3</sup>)

### Diámetro

FS 300: 35 mm (1,38 pulg)

FS 350: 40 mm (1,57 pulg)

FS 400: 40 mm (1,57 pulg)

FS 450: 42 mm (1,65 pulg)

FS 480: 44 mm (1,73 pulg)

### Carrera

FS 300, 350, FS 400, 450, 480:

32 mm (1,26 pulg)

### Potencia del motor según ISO 8893

FS 300: 1,3 kW (1,8 bhp)

FS 350: 1,6 kW (2,2 bhp)

FS 400: 1,9 kW (2,6 bhp)

FS 450: 2,1 kW (2,8 bhp)

FS 480: 2,2 kW (3,0 bhp)

### Velocidad máx. del motor

FS 300, 350, 400, 400 L, 450, 450 L,

480, 480 L: 8 930 rpm

FS 400 K, 450 K, 480 K: 8 750 rpm

### Ralentí

2800 rpm

### Velocidad máx. de eje de salida (herramienta de corte)

FS 300, 350, 400, 450, 480: 8930 rpm

FS 400 K, 450 K, 480 K: 8750 rpm

### Sistema de encendido

#### Tipo

Encendido electrónico (sin contactos) con magneto y gobernador electrónico de velocidad

#### Bujía (extinguida)

Bosch WSR 6 F, NGK BPMR 7 A o Champion RCJ 6Y (no disponible en algunos mercados)

#### Distancia entre electrodos

0,5 mm (0,02 pulg)

### Roscas de la bujía

M 14x1,25, 9,5 mm (0,37 pulg) de largo

### Arrancador de cuerda

#### Cuerda de arranque

FS 300, FS 350:

diám. de 3,0 x 850 mm (0,12 x 33,5 pulg)

FS 400, FS 450, 480:

diám. de 3,0 x 800 mm (0,12 x 31,5 pulg)

### Dimensiones

#### Largo total

Sin herramienta de corte

FS 300, 350, 400, 450, 480:

1765 mm (69,5 pulg)

FS 400 K, 450 K, 480 K:

1635 mm (64,4 pulg)

FS 400 L, 450 L, 480:

1825 mm (71,9 pulg)

#### Carburador

Carburador de diafragma de todas posiciones con bomba de combustible integral

#### Filtro de aire

Elemento de papel

#### Capacidad del tanque de combustible

FS 300,350: 0,64 l (1,35 pt EEUU)

FS 400, 450, 480: 0,67 l (1,42 pt EEUU)

#### Mezcla de combustible

Vea el capítulo "Combustible"

#### Peso

Sin herramienta de corte y deflector

FS 300, 350: 7,0 kg (15,4 lb)

FS 400, 450, 480: 8,0 kg (17,6 lb)

FS 400 K/L, 450 K/L, 480 K/L:

8,1 kg (17,8 lb)


## Accesorios especiales

Comuníquese con su concesionario STIHL para información acerca de los accesorios especiales que pueden estar disponibles para su producto.

## Mantenimiento y reparaciones

Los usuarios de esta máquina deben efectuar únicamente los trabajos de mantenimiento descritos en este manual. Solamente los talleres autorizados por STIHL deben llevar a cabo los demás trabajos de reparación.

Los reclamos de garantía presentados después de realizadas las reparaciones serán aceptados únicamente si las mismas fueron ejecutadas por un concesionario de servicio autorizado STIHL utilizando piezas de repuesto originales de STIHL.

Es posible identificar las piezas originales de STIHL por el número de pieza **STIHL**, el logotipo de STIHL y, en algunos casos, el símbolo  de piezas STIHL. En las piezas pequeñas el símbolo puede aparecer solo.

## Declaración de garantía de STIHL Incorporated sobre sistemas de control de emisiones según normas Federales

### Sus derechos y obligaciones de garantía

La Agencia de Protección del Medio Ambiente (EPA) de los EE.UU. y STIHL Incorporated se complacen en explicarle la garantía del sistema de control de emisiones instalado en el motor de su equipo. En los EE.UU., los nuevos motores pequeños para equipos de uso fuera de carretera modelos 1997 y posteriores deben estar diseñados, contruidos y equipados, al tiempo de la venta, de conformidad con los reglamentos de la EPA de los EE.UU. para los motores pequeños de uso fuera de carretera. El motor del equipo debe carecer de defectos en el material y la fabricación que puedan causar el incumplimiento de las normas de la EPA de los EE.UU. durante los primeros dos años de uso del motor a partir de la fecha de compra por el último comprador.

STIHL Incorporated debe garantizar el sistema de control de emisiones en el motor pequeño para uso fuera de carretera por el intervalo mencionado más arriba, siempre que dicho motor no haya estado sujeto a maltrato, negligencia o cuidado inapropiado.

El sistema de control de emisiones de su máquina incluye piezas tales como el carburador y el sistema de encendido. Además puede incluir mangueras, conectores y otros conjuntos relativos a emisiones.

En los casos de existir una condición amparada bajo garantía, STIHL Incorporated reparará el motor pequeño para equipo de uso fuera de carretera sin

costo alguno, incluido el diagnóstico (si el trabajo de diagnóstico fue realizado por un concesionario autorizado), las piezas y la mano de obra.

### Cobertura de garantía del fabricante:

En los EE.UU., los motores pequeños para equipos de uso fuera de carretera modelos 1997 y posteriores también están garantizados por dos años. En el caso de encontrarse defectos en cualquiera de las piezas del motor relacionadas con el sistema de control de emisiones, la pieza será reparada o sustituida por STIHL Incorporated sin costo alguno.

### Responsabilidades del usuario relativas a la garantía:

Como propietario de motor pequeño para equipo de uso fuera de carretera, usted tiene la responsabilidad de realizar el mantenimiento requerido descrito en su manual del usuario. STIHL Incorporated le recomienda guardar todos los recibos comprobantes de los trabajos de mantenimiento hechos a su motor pequeño para equipo de uso fuera de carretera, pero STIHL Incorporated no puede negar garantía basado en el solo hecho de faltar los recibos o del incumplimiento del propietario de realizar todos los trabajos de mantenimiento programados.

El uso de cualquier pieza de repuesto o servicio cuyo comportamiento y durabilidad sean equivalentes está permitido en trabajos de mantenimiento o reparación no contemplados en la garantía, y no

reducirá las obligaciones de la garantía del fabricante del motor.

Sin embargo, como propietario del motor pequeño para equipo de uso fuera de carretera usted debe estar consciente de que STIHL Incorporated puede negarle cobertura de garantía si dicho motor o una pieza del mismo ha fallado debido a maltrato, descuido, mantenimiento inadecuado o modificaciones no autorizadas.

Usted es responsable de llevar el motor pequeño para equipo de uso fuera de carretera a un centro de servicio STIHL tan pronto surja el problema. Las reparaciones bajo garantía serán realizadas en un tiempo razonable, sin exceder de 30 días.

Ante cualquier duda respecto a sus derechos y responsabilidades bajo esta garantía, sírvase contactar al representante de atención al cliente STIHL llamando al 1-800-467-8445, o si lo prefiere puede escribir a

STIHL Inc.,  
536 Viking Drive, P.O. Box 2015,  
Virginia Beach, VA 23450-2015 EE.UU.

### Cobertura por STIHL Incorporated

STIHL Incorporated garantiza al último comprador y a cada comprador subsiguiente que el motor pequeño para equipo de uso fuera de carretera está diseñado, construido y equipado, al tiempo de la venta, de conformidad con todos los reglamentos aplicables. Además, STIHL Incorporated garantiza al comprador inicial y a cada comprador

subsiguiente que el motor está libre de defectos en el material y fabricación que puedan causar el incumplimiento de los reglamentos aplicables durante un período de dos años.

### Período de garantía

El período de garantía comienza en la fecha en que el motor del equipo utilitario es entregado a usted y usted firma y remite la tarjeta de garantía a STIHL.

Si cualquier pieza relacionada con el sistema de control de emisiones está defectuosa, la pieza será sustituida por STIHL Incorporated sin costo alguno para el propietario. Cualquier pieza garantizada cuyo reemplazo no está programado como mantenimiento requerido, o que debe recibir únicamente inspección regular en el sentido de "reparar o sustituir según sea necesario", estará garantizada por el período de garantía. Cualquier pieza cuyo reemplazo está programado como mantenimiento requerido estará garantizada por el intervalo hasta el primer punto de reemplazo programado para esa pieza.

### Diagnóstico

Como propietario, a usted no se le debe cobrar la mano de obra por los diagnósticos que determinen que una pieza garantizada está defectuosa. No obstante, si usted reclama garantía para un componente y se comprueba que la máquina no está defectuosa, STIHL Incorporated le cobrará el costo de la prueba del sistema de control de emisiones.

El trabajo de diagnóstico mecánico se realiza en un centro de servicio autorizado por STIHL. La prueba del sistema de control de emisiones se realiza ya sea en la fábrica de STIHL Incorporated o en un laboratorio de ensayos independiente.

### Trabajo bajo garantía

STIHL Incorporated reparará los defectos amparados por la garantía en cualquier estación de garantía o centro de servicio autorizado por STIHL. Todo trabajo de este tipo se hará gratis para el propietario siempre que se determine que la pieza cubierta por la garantía está defectuosa. Se puede usar cualquier pieza de repuesto aprobada por el fabricante o equivalente en las piezas relacionadas con el sistema de control de emisiones, y debe ser suministrada gratis al propietario. STIHL Incorporated es responsable por daños a otros componentes del motor causados por la falla de una pieza garantizada que todavía está bajo garantía.

La lista siguiente define específicamente las piezas garantizadas y relacionadas con las emisiones:

Carburador  
Estrangulador (sistema de refuerzo para arranque en frío)  
Múltiple de admisión  
Filtro de aire  
Bujía  
Magneto o sistema de encendido electrónico (módulo de encendido)  
Convertidor catalítico (si lo tiene)  
Sujetadores/pernos

### Dónde presentar el reclamo para servicio bajo garantía

Lleve el producto a cualquier centro de servicio autorizado por STIHL y presente la tarjeta de garantía firmada.

### Requerimientos de mantenimiento

Las instrucciones presentadas en este manual se basan en la aplicación de la mezcla recomendada para motores de 2 tiempos (vea también la instrucción "Combustible"). Las discrepancias de estas recomendaciones con respecto a la calidad y la proporción de la mezcla de combustible y aceite pueden exigir intervalos de mantenimiento más cortos.

### Limitaciones

Esta garantía de los sistemas de control de emisiones no cubrirá ninguno de los puntos siguientes:

- reparación o sustitución requerida debido a maltrato, negligencia o falta del mantenimiento requerido,
  - reparaciones mal hechas o sustituciones contrarias a las especificaciones de STIHL Incorporated que afecten desfavorablemente el funcionamiento y/o la durabilidad, y las alteraciones o modificaciones no recomendadas o aprobadas por escrito por STIHL Incorporated,
- y
- la sustitución de piezas y otros servicios y ajustes necesarios para el mantenimiento requerido en y después del primer punto de reemplazo programado.



## Marcas comerciales

### Marcas registradas de STIHL

STIHL®

**STIHL®**



La combinación de colores anaranjado-gris (N° de registro EE.UU. #2,821,860; #3,010,057; y #3,010,058)

4-MIX®

AUTOCUT®

EASYSTART®

OILOMATIC®

STIHL Cutquik®

STIHL DUROMATIC®

STIHL Farm Boss®

STIHL Quickstop®

STIHL ROLLOMATIC®

STIHL WOOD BOSS®

TIMBERSPORTS®

YARD BOSS®

### Marcas comerciales de STIHL por ley común



BioPlus™

Easy2Start™

EasySpool™

ElastoStart™

Ematic™ / Stihl-E-Matic™

FixCut™

HT Plus™

IntelliCarb™

Master Control Lever™

Micro™

Pro Mark™

Quad Power™

Quiet Line™

STIHL Arctic™

STIHL Compact™

STIHL HomeScaper Series™

STIHL Interchangeable Attachment Series™

STIHL Magnum™ / Stihl-Magnum™

STIHL MiniBoss™

STIHL MotoPlus 4™

STIHL Multi-Cut HomeScaper Series™

Stihl Outfitters™

STIHL PICCO™

STIHL PolyCut™

STIHL PowerSweep™

STIHL Precision Series™

STIHL Protech™

STIHL RAPID™

STIHL SuperCut™

STIHL Territory™

TapAction™

TrimCut™

Esta lista de marcas comerciales está sujeta a cambios.

Queda terminantemente prohibido todo uso de estas marcas comerciales sin el consentimiento expreso por escrito de ANDREAS STIHL AG & Co. KG, Waiblingen.

 **WARNING!**

The engine exhaust from this product contains chemicals known to the State of California to cause cancer, birth defects or other reproductive harm.

 **ADVERTENCIA!**

El gas de escape del motor de esta máquina contiene productos químicos que en el estado de California son considerados como causantes de cáncer, defectos de nacimiento u otros efectos nocivos para los órganos de la reproducción.

**0458 255 8621 A**

**english / English USA / spanisch / español EE.UU / CARB / EPA**